

**ARCTIC
CAT[®]**

2006

400 FIS

(Manual Transmission)



Model Number A2006ICH4AUSR (Red)
Model Number A2006ICH4AUSG (Green)
Model Number A2006ICH4AUSZ (Cat Green)

Illustrated Parts Manual

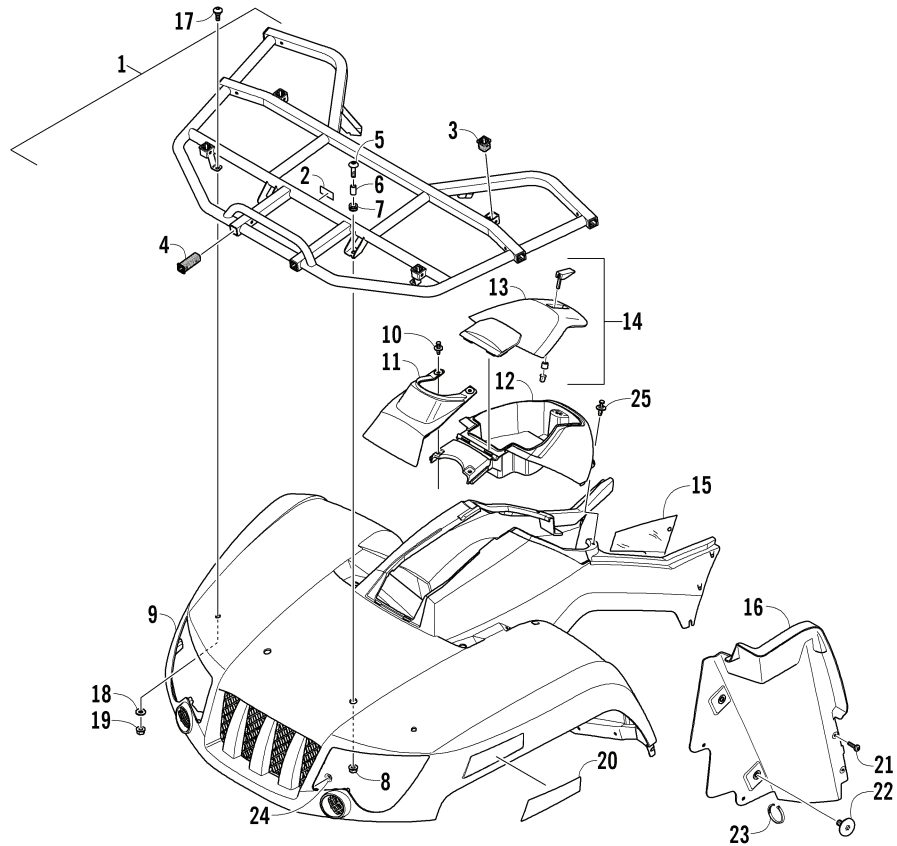
TABLE OF CONTENTS

2006 ATV 400 FIS (Manual Transmission)

Red (Model No. A2006ICH4AUSR) Green (Model No. A2006ICH4AUSG)
Cat Green (Model No. A2006ICH4AUSZ)

FRONT BODY PANEL ASSEMBLY	1
REAR BODY PANEL ASSEMBLY	2
TAILLIGHT ASSEMBLY	3
DECALS	4
FRAME AND RELATED PARTS	5
SEAT ASSEMBLY	6
STEERING POST ASSEMBLY	7
HANDLEBAR ASSEMBLY	8
FRONT SUSPENSION ASSEMBLY	9
REAR SUSPENSION ASSEMBLY	10
WHEEL AND TIRE ASSEMBLY	11
AUXILIARY BRAKE ASSEMBLY	12
HYDRAULIC HAND BRAKE ASSEMBLY	13
HYDRAULIC BRAKE ASSEMBLY	14
GAS TANK ASSEMBLY	15
REVERSE SHIFT LEVER ASSEMBLY	16
AIR INTAKE ASSEMBLY	17
BATTERY ASSEMBLY	18
ENGINE AND EXHAUST	19
OIL COOLER ASSEMBLY	20
DRIVE TRAIN ASSEMBLY	21
FRONT DRIVE GEARCASE ASSEMBLY	22
REAR DRIVE GEARCASE ASSEMBLY	23
WIRING HARNESS ASSEMBLY	24
CARBURETOR	25
CYLINDER HEAD ASSEMBLY	26
CYLINDER ASSEMBLY	27
CRANKCASE ASSEMBLY	28
CRANKCASE COVER ASSEMBLY	29
CRANKSHAFT ASSEMBLY	30
STARTER CLUTCH ASSEMBLY	31
CRANK BALANCER ASSEMBLY	32
CAMSHAFT/VALVE ASSEMBLY	33
CAM CHAIN ASSEMBLY	34
RECOIL STARTER ASSEMBLY	35
OIL FILTER/PUMP ASSEMBLY	36
CLUTCH ASSEMBLY	37
TRANSMISSION ASSEMBLY	38
SECONDARY TRANSMISSION ASSEMBLY	39
SECONDARY DRIVE ASSEMBLY	40
GEAR SHIFTING ASSEMBLY	41
SECONDARY SHIFTING ASSEMBLY	42
STARTER MOTOR ASSEMBLY	43
MAGNETO ASSEMBLY	44
CONTROL SWITCH HOUSING ASSEMBLY	45
THROTTLE CASE ASSEMBLY	46
RELATED ITEMS	Back Cover

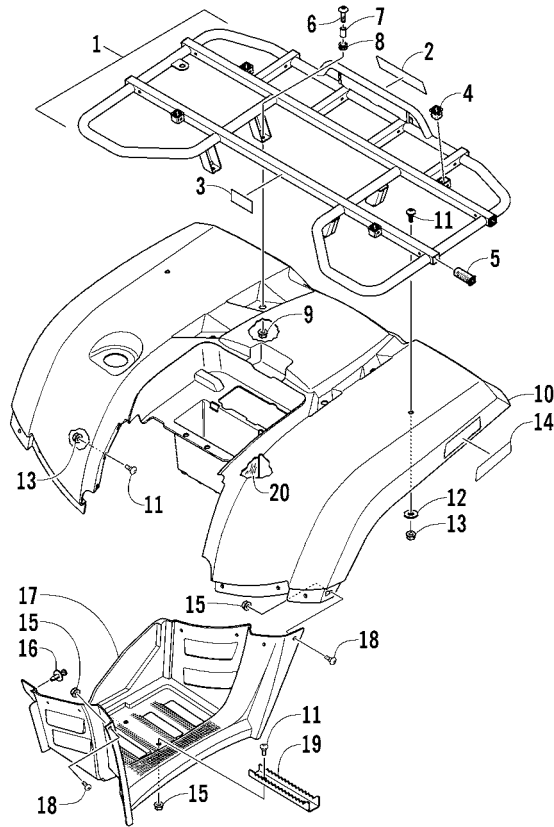
■ **NOTE:** The illustrations used in this Parts Manual are for reference to replacement part numbers only and are not to be used for assembly. For assembly procedures, use an Arctic Cat Service Manual. Underlined part numbers are new for the 2006 model year.



FRONT BODY PANEL ASSEMBLY

0740-293

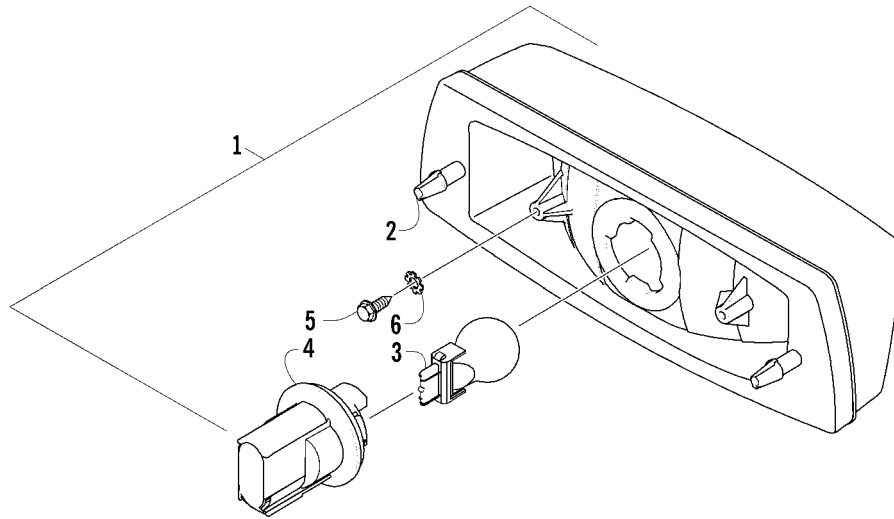
Ref.	Part No.	Qty.	Description	Ref.	Part No.	Qty.	Description
1	<u>1506-750</u>	1	Rack - Front - Assembly (inc. 2-4)	13	<u>1406-862</u>	1	Cover, Storage Box
2	<u>0411-576</u>	1	¥ Decal, Warning - Front Rack Load	14	<u>1406-599</u>	1	Latch, Storage Box
3	<u>0441-592</u>	4	¥ Bushing, Rack	15	<u>0412-356</u>	1	Heat, Shield - Fender - Front
4	<u>2604-014</u>	6	¥ Bushing, Rack	16	<u>1406-906</u>	1	Panel, Splash - Right
5	<u>8468-830</u>	4	Screw, Machine	17	<u>1406-907</u>	1	Panel, Splash - Left
6	<u>0423-463</u>	4	Spacer	18	<u>0423-355</u>	2	Screw, Shoulder
7	<u>0423-465</u>	4	Grommet	19	<u>8050-222</u>	2	Washer
8	<u>8432-802</u>	4	Nut, Lock	20	<u>8424-602</u>	2	Nut, Lock
9	<u>1406-839</u>	1	Panel, Fender - Front	21	<u>1411-078</u>	1	Decal, Reflector - Front - Right
10	<u>1406-840</u>	1	Panel, Fender - Front (Green)	22	<u>1411-079</u>	1	Decal, Reflector - Front - Left
11	<u>1406-841</u>	1	Panel, Fender - Front (Cat Green)	23	<u>0423-342</u>	4	Screw, Self-Tapping
12	<u>0623-362</u>	2	Rivet, Reinstallable	24	<u>0423-101</u>	5	Screw, Body
	<u>1406-867</u>	1	Cover, Steering Post	25	<u>0123-788</u>	AR	Cable Tie - 7.5 in.
	<u>1406-970</u>	1	Cover, Steering Post (Green)	26	<u>0423-357</u>	2	Nut, Stamped
	<u>1406-971</u>	1	Cover, Steering Post (Cat Green)	27	<u>0623-544</u>	2	Plug
	<u>1406-866</u>	1	Box, Storage				
	<u>1406-947</u>	1	Box, Storage (Green)				
	<u>1406-948</u>	1	Box, Storage (Cat Green)				



REAR BODY PANEL ASSEMBLY

0740-305

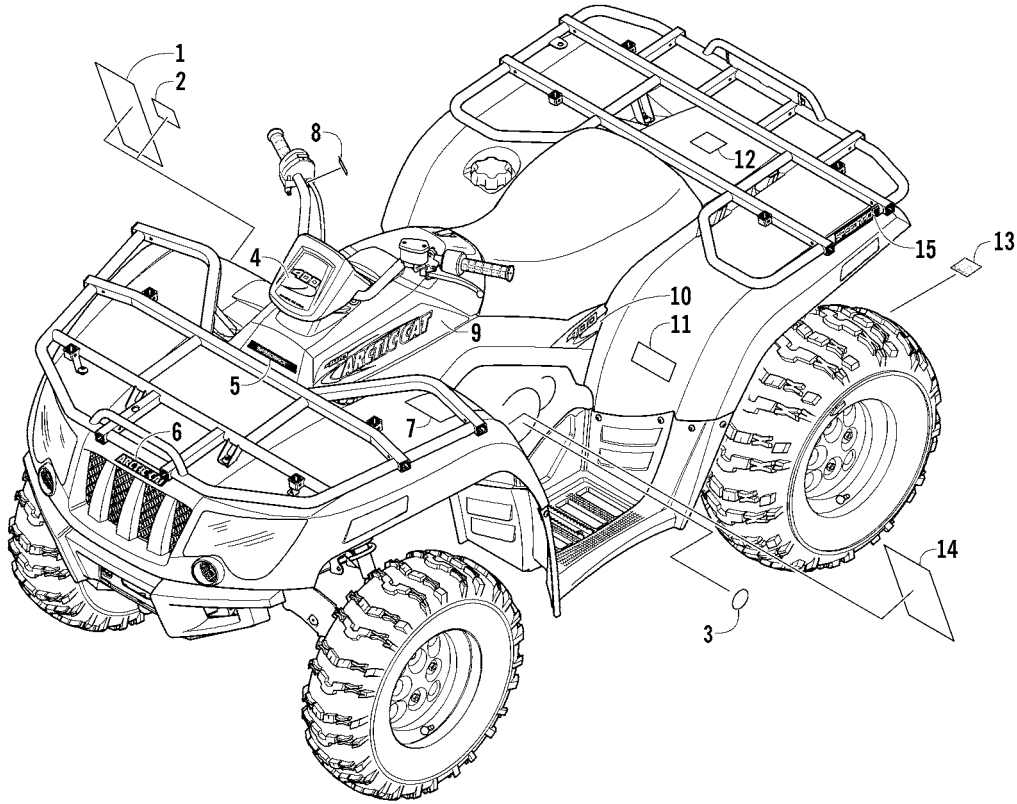
Ref.	Part No.	Qty.	Description	Ref.	Part No.	Qty.	Description
1	<u>1506-753</u>	1	Rack - Rear - Assembly (inc. 2-5)	11	0423-355	12	Screw, Shoulder
2	0411-814	1	¥ Decal, "Arctic Cat"	12	8050-222	2	Washer
3	0411-648	1	¥ Decal, Warning - Rear Rack Load	13	8424-602	8	Nut, Lock
4	0441-592	4	¥ Bushing, Rack	14	<u>1411-080</u>	1	Decal, Reflector - Rear - Right
5	2406-014	8	¥ Bushing, Rack		<u>1411-081</u>	1	Decal, Reflector - Rear - Left
6	8468-830	4	Screw, Machine	15	0423-540	16	Nut, Lock
7	0423-463	4	Spacer	16	0623-362	4	Rivet, Reinstallable
8	0423-465	4	Grommet	17	<u>1406-950</u>	1	Footwell - Right
9	8432-802	4	Nut, Lock		<u>1406-951</u>	1	Footwell - Left
10	<u>1406-847</u>	1	Panel, Fender - Rear	18	0423-419	12	Screw, Machine
	<u>1406-848</u>	1	Panel, Fender - Rear (Green)	19	1506-125	2	Footpeg
	<u>1406-849</u>	1	Panel, Fender - Rear (Cat Green)	20	<u>0412-351</u>	1	Shield, Heat



TAILLIGHT ASSEMBLY

0739-667

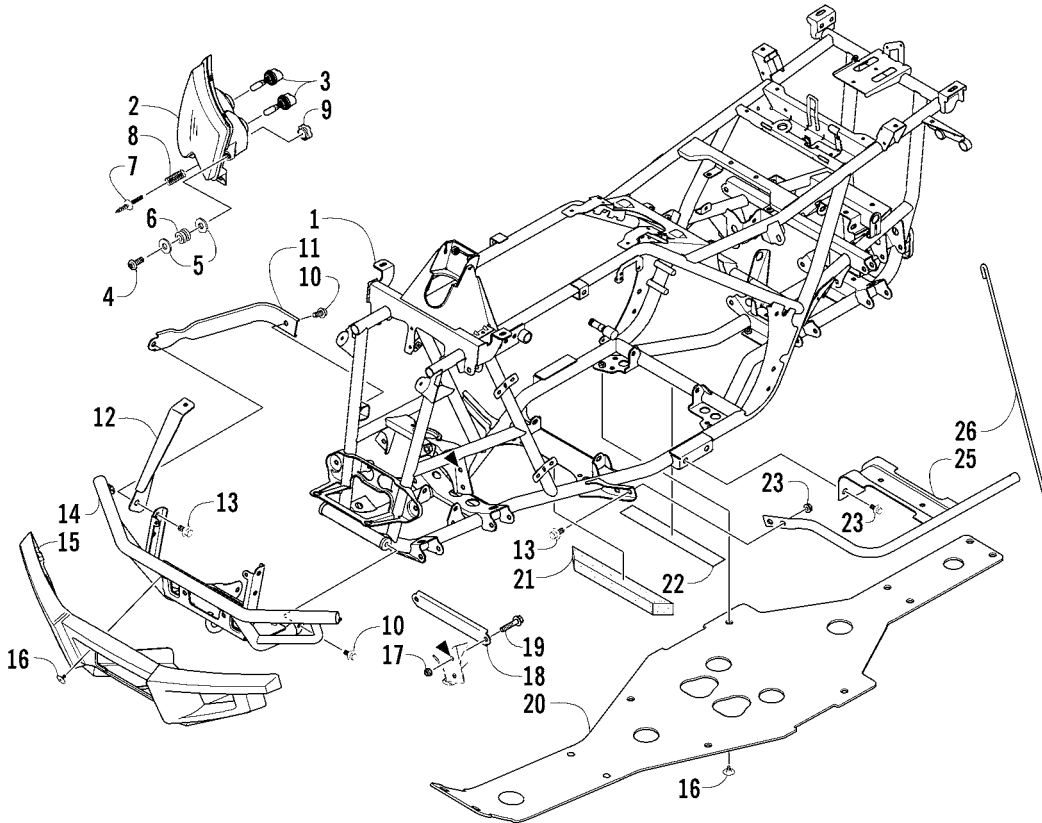
Ref.	Part No.	Qty.	Description	Ref.	Part No.	Qty.	Description
1	0509-022	1	Taillight Assembly (inc. 2-4)	4	0409-057	1	¥ Socket, Taillight
2	0509-025	1	¥ Housing, Taillight	5	0623-301	2	Screw, Self-Tapping
3	0409-056	1	¥ Bulb, Taillight	6	8053-212	2	Washer, Lock - External Tooth



DECALS

0740-628 *Included on Front/Rear Fender Panels

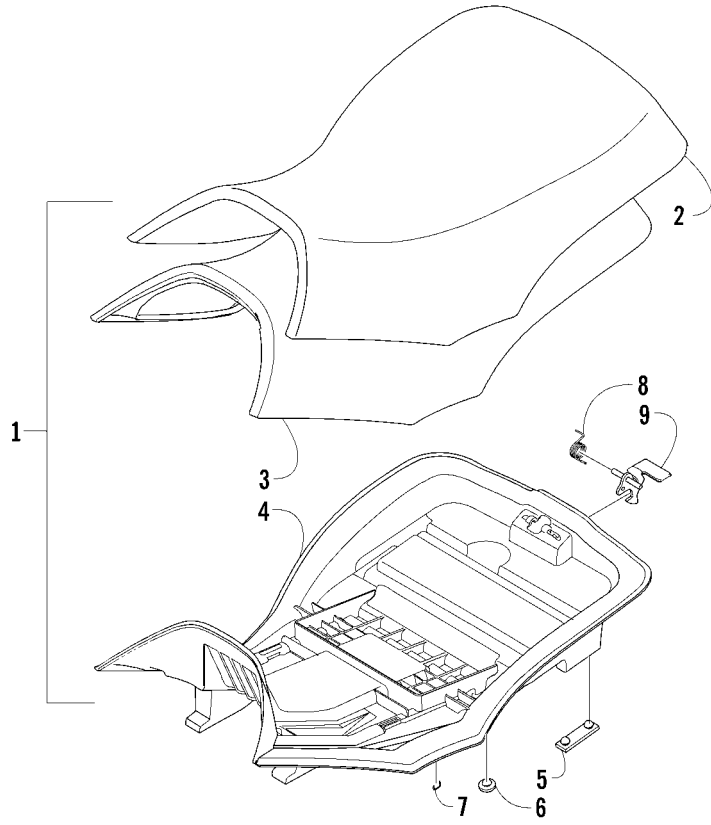
Ref.	Part No.	Qty.	Description	Ref.	Part No.	Qty.	Description
1	1411-250	1	Decal, Warning - Reverse/Pre-Ride*	10	1411-060	1	Decal, Side - Lower Right
2	0411-835	1	Decal, Warning - Hill		1411-061	1	Decal, Side - Lower Left
3	0411-003	1	Decal, Shift Pattern		1411-062	1	Decal, Side - Lower Right (Green)
4	1411-047	1	Decal, Instrument Pod		1411-063	1	Decal, Side - Lower Left (Green)
	1411-048	1	Decal, Instrument Pod (Green)		1411-064	1	Decal, Side - Lower Right (Cat Green)
	1411-049	1	Decal, Instrument Pod (Cat Green)		1411-065	1	Decal, Side - Lower Left (Cat Green)
5	1411-051	1	Decal, "Speedrack"	11	0411-430	1	Decal, Warning - Tire Pressure
	1411-052	1	Decal, "Speedrack" (Green)	12	0411-435	1	Decal, Warning - Passenger
	1411-066	1	Decal, "Speedrack" (Cat Green)	13	1411-077	1	Decal, Warning - Towing
6	0411-840	1	Decal, Front	14	0411-218	1	Decal, Warning - General*
	0411-839	1	Decal, Front (Green)	15	0411-965	2	Decal, "Speedrack"
	0411-841	1	Decal, Front (Cat Green)				
7	0411-401	1	Decal, Warning - Age*				
8	0411-966	1	Decal, Warning - Differential Lock				
9	1411-054	1	Decal, Side - Upper Right				
	1411-055	1	Decal, Side - Upper Left				
	1411-056	1	Decal, Side - Upper Right (Green)				
	1411-057	1	Decal, Side - Upper Left (Green)				
	1411-058	1	Decal, Side - Upper Right (Cat Green)				
	1411-059	1	Decal, Side - Upper Left (Cat Green)				



FRAME AND RELATED PARTS

0740-310

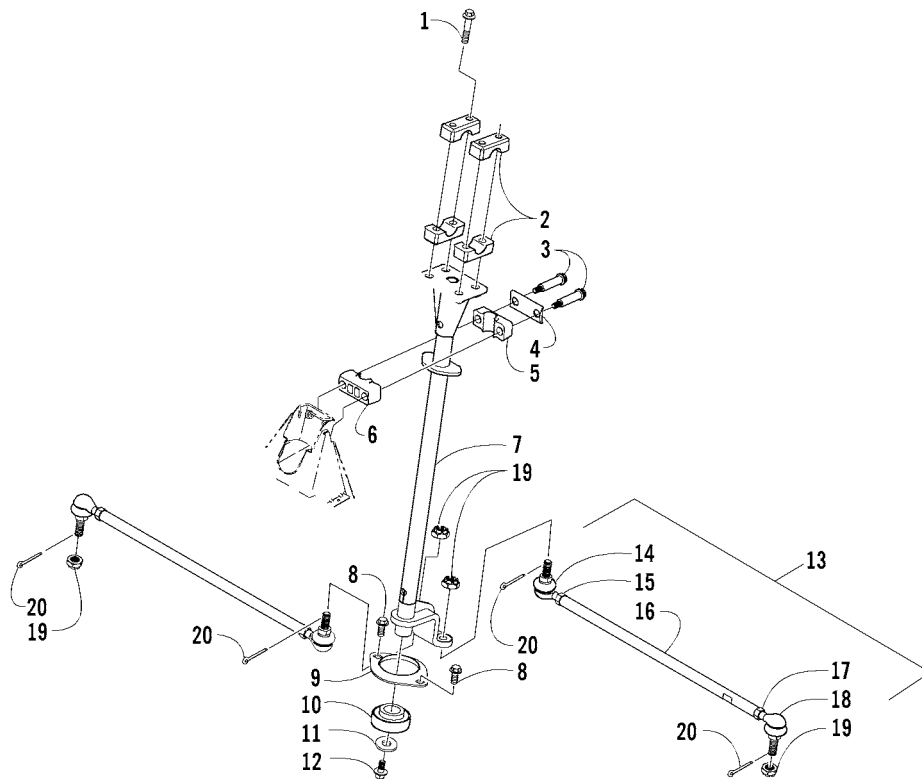
Ref.	Part No.	Qty.	Description	Ref.	Part No.	Qty.	Description
1	<u>1506-717</u>	1	Frame, Main	13	8408-816	6	Screw, Cap
2	<u>0509-027</u>	1	Headlight Assembly - Right (inc. 3)	14	<u>1506-684</u>	1	Bumper
	<u>0509-028</u>	1	Headlight Assembly - Left (inc. 3)	15	<u>1406-868</u>	1	Facia, Bumper - Front
3	<u>0409-073</u>	4	¥ Bulb, Headlight	16	0423-101	20	Screw, Body
4	0623-785	4	Screw, Self-Tapping	17	8428-002	2	Nut, Lock
5	8050-217	8	Washer	18	1506-429	1	Brace, A-Arm
6	0423-447	4	Grommet	19	8409-025	2	Screw, Cap
7	0423-514	2	Stud, Adjuster - Headlight	20	1406-030	1	Panel, Belly
8	0423-522	2	Spring, Adjuster - Headlight	21	1506-067	1	Foam, Frame
9	0423-513	2	Knob, Adjuster - Headlight	22	0406-289	1	Pad, Frame
10	8409-020	4	Screw, Cap	23	8424-802	4	Nut, Flange
11	0506-653	1	Channel, Bumper Mounting - Right	24	8409-016	4	Screw, Cap
	1506-596	1	Channel, Bumper Mounting - Left	25	<u>1506-659</u>	1	Footrest - Right
12	<u>1506-686</u>	1	Bracket, Mounting - Bumper - Right		<u>1506-660</u>	1	Footrest - Left
	<u>1506-687</u>	1	Bracket, Mounting - Bumper - Left	26	<u>1406-853</u>	2	Rod, Support



SEAT ASSEMBLY

0739-690

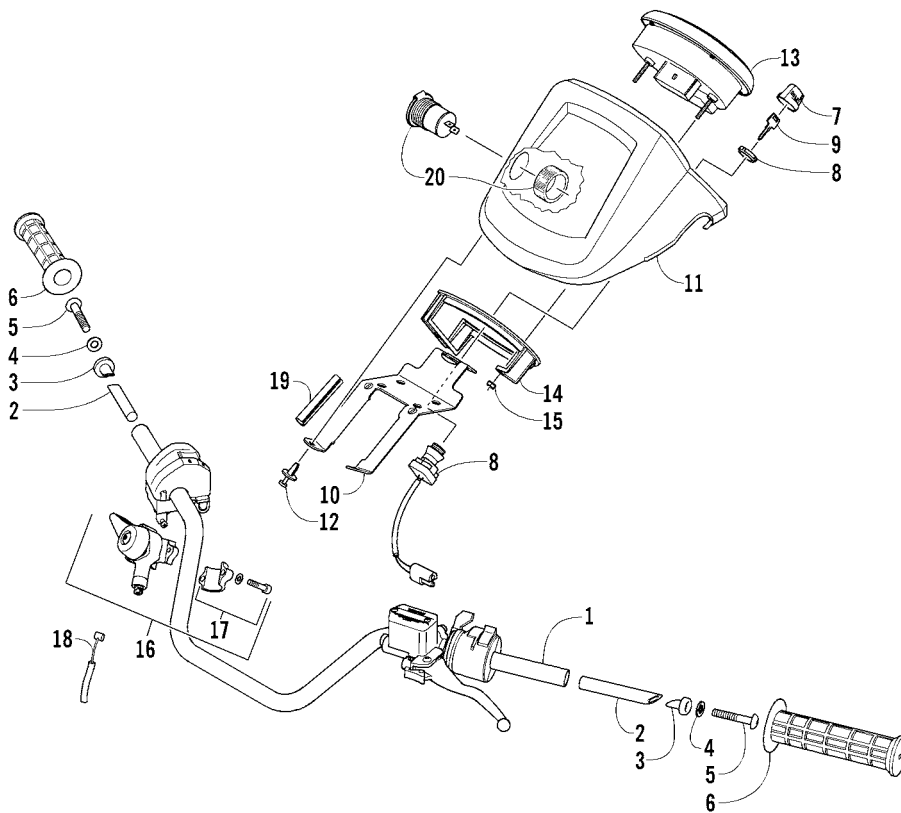
Ref.	Part No.	Qty.	Description	Ref.	Part No.	Qty.	Description
1	<u>1506-937</u>	1	Seat Assembly (inc. 2-9)	6	0406-877	4	¥ ¥ Bumper, Seat - Front
2	1506-209	1	¥ Cover, Seat	7	0624-528	AR	¥ Staple
3	1506-208	1	¥ Foam, Seat	8	1406-592	1	¥ Spring, Seat Latch
4	<u>2406-144</u>	1	¥ Base, Seat - Assembly (inc. 5-6)	9	1506-156	1	¥ Latch, Seat
5	0406-879	2	¥ ¥ Bumper, Seat - Rear				



STEERING POST ASSEMBLY

0739-774

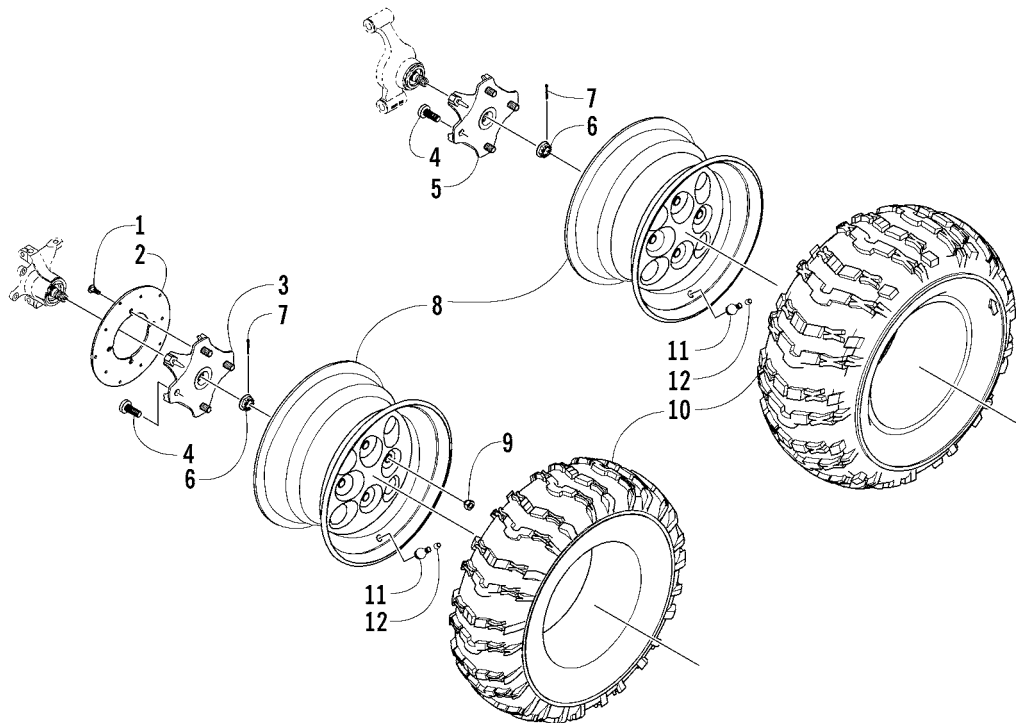
Ref.	Part No.	Qty.	Description	Ref.	Part No.	Qty.	Description
1	8408-860	4	Screw, Cap	11	0423-073	1	Washer
2	0405-035	4	Cap, Steering Adjuster	12	8409-020	1	Screw, Cap
3	0423-505	2	Screw, Shoulder	13	0505-408	2	Tie Rod - Assembly (inc. 14-18)
4	0405-166	1	Cap, Housing	14	0405-083	2	¥ Ball Joint, Tie Rod - Left
5	0405-138	1	Housing, Lower	15	0423-013	2	¥ Nut - Left
6	0405-139	1	Housing, Upper	16	0405-107	2	¥ Tie Rod
7	0505-451	1	Post, Steering	17	8420-002	2	¥ Nut - Right
8	8408-816	2	Screw, Cap	18	0405-082	2	¥ Ball Joint, Tie Rod - Right
9	0602-233	1	Flange, Bearing	19	0423-157	4	Nut, Top Lock
10	0405-052	1	Bearing w/Inverted Oil Seal	20	0623-175	4	Pin, Cotter



HANDLEBAR ASSEMBLY

0740-349

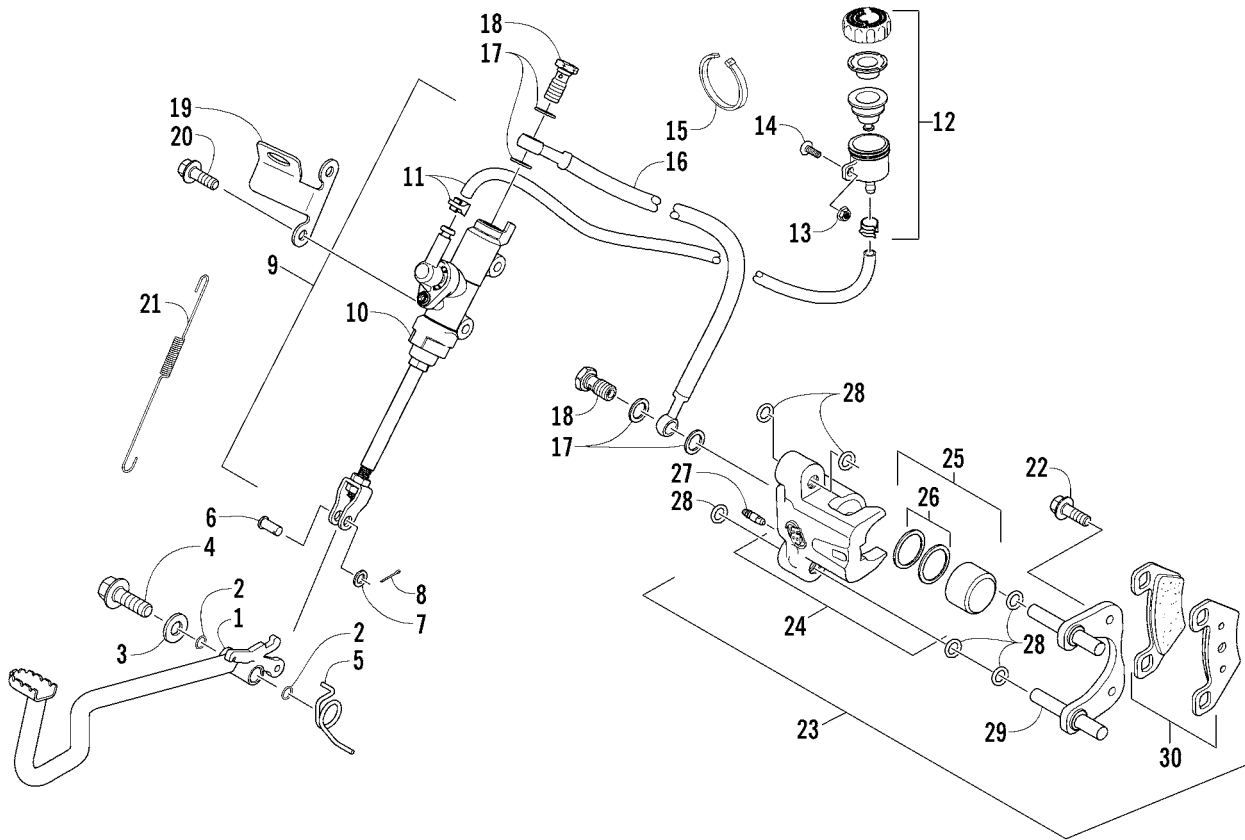
Ref.	Part No.	Qty.	Description	Ref.	Part No.	Qty.	Description
1	0505-448	1	Tube, Handlebar	11	0405-188	1	Instrument Pod
2	0405-148	2	Plug, Handlebar		0405-189	1	Instrument Pod (Green)
3	0405-149	2	End Cap, Handlebar		0405-190	1	Instrument Pod (Cat Green)
4	8050-247	2	Washer	12	0423-535	2	Rivet, Reinstallable
5	8477-845	2	Screw, Machine	13	0520-001	1	Gauge, Digital
6	0405-147	2	Grip, Handlebar	14	0420-065	1	Clamp, Plastic
7	0409-013	1	Cover, Key	15	0423-493	2	Nut, Hex
8	3430-040	1	Switch, Ignition - Assembly (inc. 9)	16	0502-527	1	Control, Differential Lock (inc. 17)
9	3409-007	1	¥ Key, Ignition - Blank (C Series)	17	0502-613	1	¥ Clamp, Differential Lock Control - Kit
	3409-011	1	¥ Key, Ignition - Blank (D Series)	18	0487-030	1	Cable, Differential Lock
	3409-012	1	¥ Key, Ignition - Blank (E Series)	19	0706-371	AR	Trim
	3409-013	1	¥ Key, Ignition - Blank (F Series)	20	0641-897	1	Outlet, Accessory - 12V
10	1506-578	1	Bracket, Mounting - Instrument Pod				



WHEEL AND TIRE ASSEMBLY

0740-358

Ref.	Part No.	Qty.	Description	Ref.	Part No.	Qty.	Description
1	0423-557	12	Screw, Shoulder w/Loctite	9	0423-408	16	Nut, Mounting - Wheel
2	1402-225	3	Disc, Brake	10	1402-100	2	Tire - Front
3	0502-599	2	Hub, Wheel - Front (inc. 4)		1402-101	2	Tire - Rear
4	0402-974	16	¥ Stud, Wheel Hub	11	0402-064	4	Stem, Valve (inc. 12)
5	0502-601	1	Hub, Wheel - Rear - Left (inc. 4)	12	0402-140	4	¥ Cap, Valve Stem
	0502-599	1	Hub, Wheel - Rear - Right (inc. 4)				
6	0423-607	4	Nut, Castle Flange				
7	0423-407	4	Pin, Cotter				
8	1402-127	2	Wheel - Front - Platinum				
	1402-115	2	Wheel - Rear - Platinum				
	0402-856	2	Wheel - Front - Gray (Green)				
	0402-858	2	Wheel - Rear - Gray (Green)				

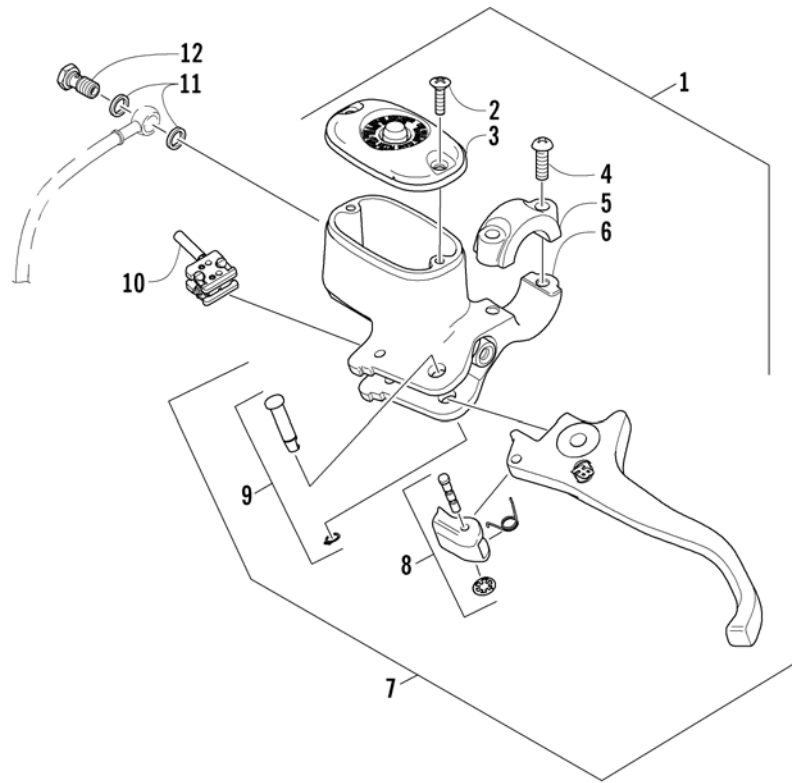


AUXILIARY BRAKE ASSEMBLY

(Fully Bled Master Cylinder Replacement Kit p/n 0502-938)

0740-359 *Not a Service Part

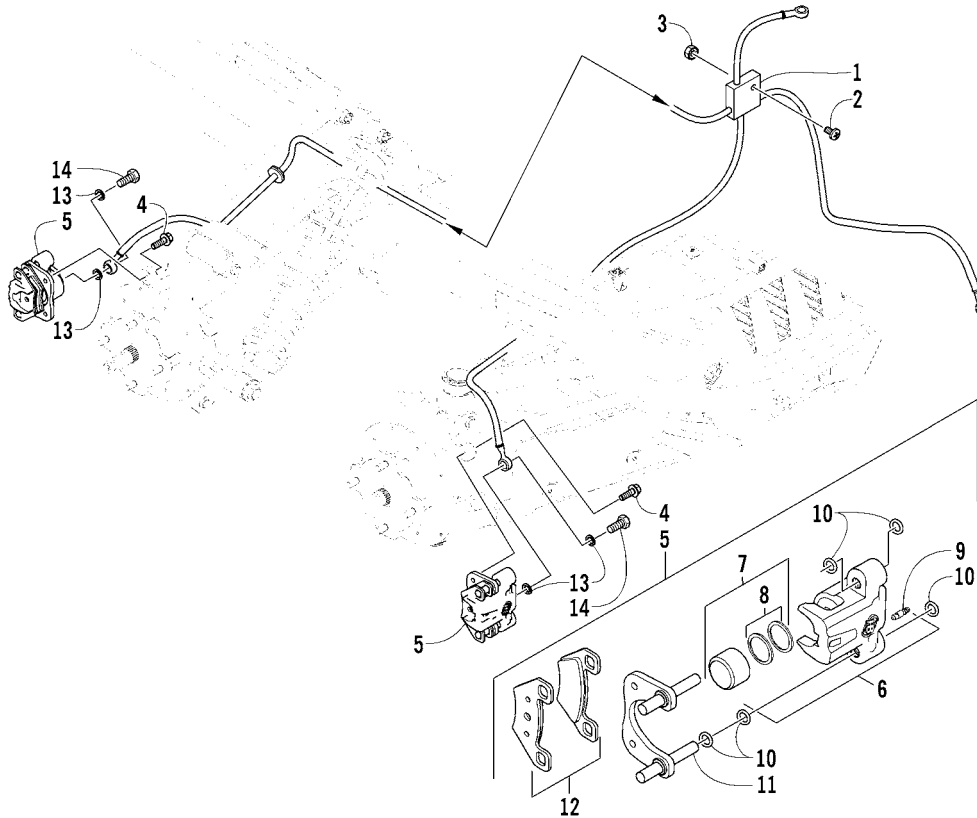
Ref.	Part No.	Qty.	Description	Ref.	Part No.	Qty.	Description
1	<u>0502-957</u>	1	Lever, Brake	17	0423-178	4	Washer, Crush
2	1602-213	2	O-Ring	18	0423-413	2	Bolt, Banjo Fitting
3	8050-252	1	Washer	19	<u>0502-840</u>	1	Bracket, Switch
4	8408-816	1	Screw, Cap	20	8408-625	2	Screw, Cap
5	<u>0502-807</u>	1	Spring, Brake Lever	21	<u>0502-785</u>	1	Spring, Brake Switch
6	1402-377	1	Pin, Clevis	22	8408-820	2	Screw, Cap
7	8050-217	1	Washer	23	0502-602	1	Caliper, Brake (inc. 24-30)
8	0402-584	1	Pin, Cotter	24	0502-603	1	¥ Housing, Caliper - Assembly - Right Front (inc. 25-27)
9	<u>0502-881</u>	1	Brake Assembly (inc. 10-12)	25	0502-606	1	¥ ¥ Piston/Seal Set (inc. 26)
10	*	1	¥ Master Cylinder	26	0502-607	1	¥ ¥ ¥ Seal Set
11	<u>0502-880</u>	1	¥ Hose, Brake Reservoir	27	0502-609	1	¥ ¥ Valve, Bleed
12	<u>0502-877</u>	1	¥ Reservoir, Brake	28	0502-608	1	¥ O-Ring, Guide - Set
13	0623-038	1	Nut, Flanged	29	0502-605	1	¥ Bracket Assembly
14	8476-616	1	Screw, Machine	30	0502-604	1	¥ Pad, Brake - Set
15	0123-788	1	Cable Tie - 7.5 in.				
16	<u>1402-413</u>	1	Hose, Brake				



HYDRAULIC HAND BRAKE ASSEMBLY

0739-479

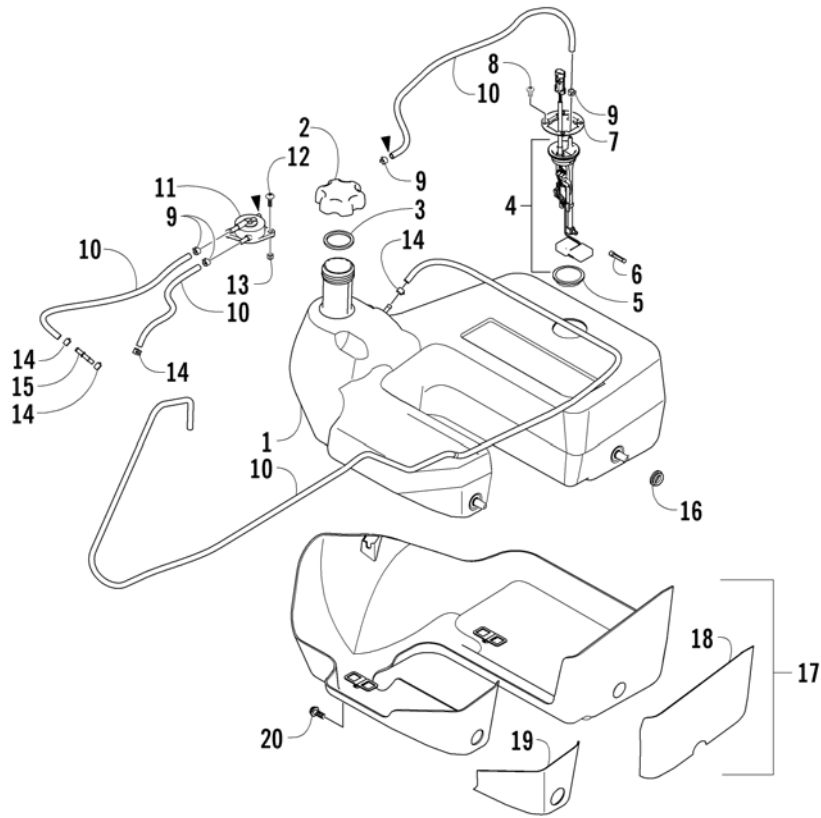
Ref.	Part No.	Qty.	Description	Ref.	Part No.	Qty.	Description
1	<u>0502-914</u>	1	Brake Assembly (inc. 2-10)	7	<u>0502-866</u>	1	¥ Lever Assembly - Kit (inc. 8-9)
2	<u>0502-566</u>	1	¥ Screw, Reservoir Cover - Kit	8	<u>0502-867</u>	1	¥ ¥ Lock, Brake Lever - Kit
3	<u>0502-868</u>	1	¥ Cover, Reservoir - Kit	9	0502-580	1	¥ ¥ Lever Pin - Kit
4	<u>0502-568</u>	1	¥ Screw, Master Cylinder Clamp - Kit	10	0502-564	1	¥ Switch, Brake - Kit
5	<u>0502-869</u>	1	¥ Clamp, Master Cylinder - Kit	11	0423-178	2	Washer, Crush
6	0502-704	1	¥ Master Cylinder Assembly - Kit	12	0423-413	1	Bolt, Banjo Fitting



HYDRAULIC BRAKE ASSEMBLY

0740-478

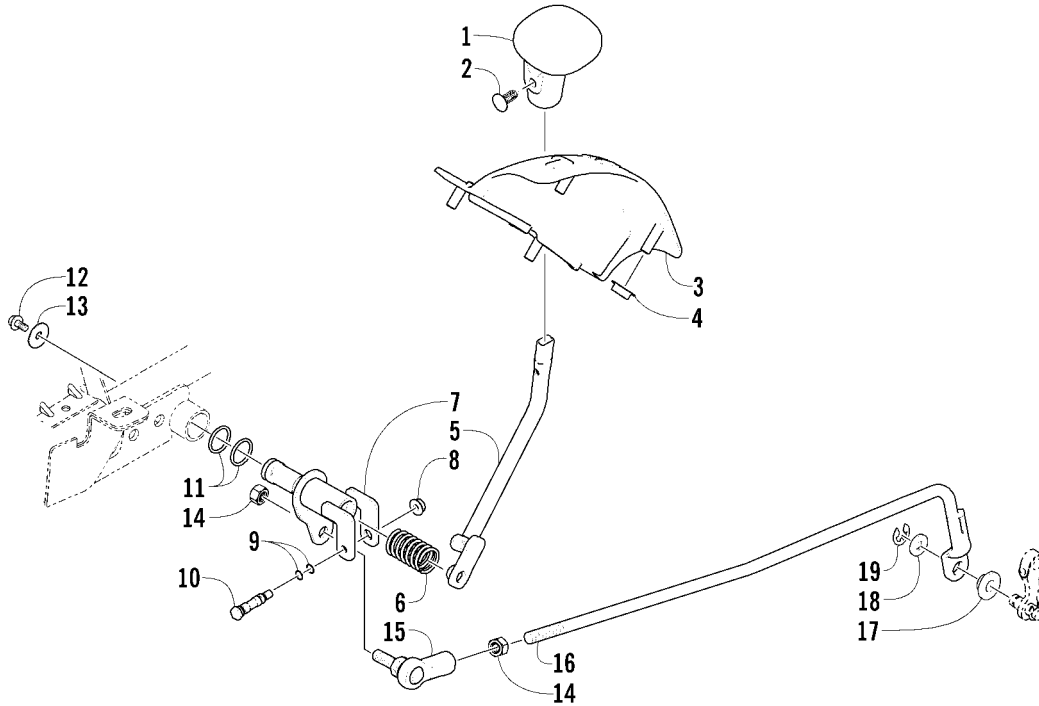
Ref.	Part No.	Qty.	Description	Ref.	Part No.	Qty.	Description
1	0502-627	1	Hose, Brake - Assembly	7	0502-606	3	¥ ¥ Piston/Seal Set (inc. 8)
2	8476-625	1	Screw, Cap	8	0502-607	3	¥ ¥ ¥ Seal Set
3	0623-038	1	Nut, Hex	9	0502-609	3	¥ ¥ Valve, Bleed
4	8408-820	6	Screw, Cap	10	0502-608	3	¥ O-Ring, Guide - Set
5	0502-602	1	Caliper, Brake - Right Front (inc. 6-12)	11	0502-605	3	¥ Bracket Assembly
	0502-610	2	Caliper, Brake - Left Front and Right Rear (inc. 6-12)	12	0502-604	3	¥ Pad, Brake - Set
6	0502-603	1	¥ Housing, Caliper - Assembly - Right Front (inc. 7-9)	13	0423-178	6	Washer, Crush
	0502-611	2	¥ Housing, Caliper - Assembly - Left Front and Right Rear (inc. 7-9)	14	0423-413	3	Bolt, Banjo Fitting



GAS TANK ASSEMBLY

0739-695

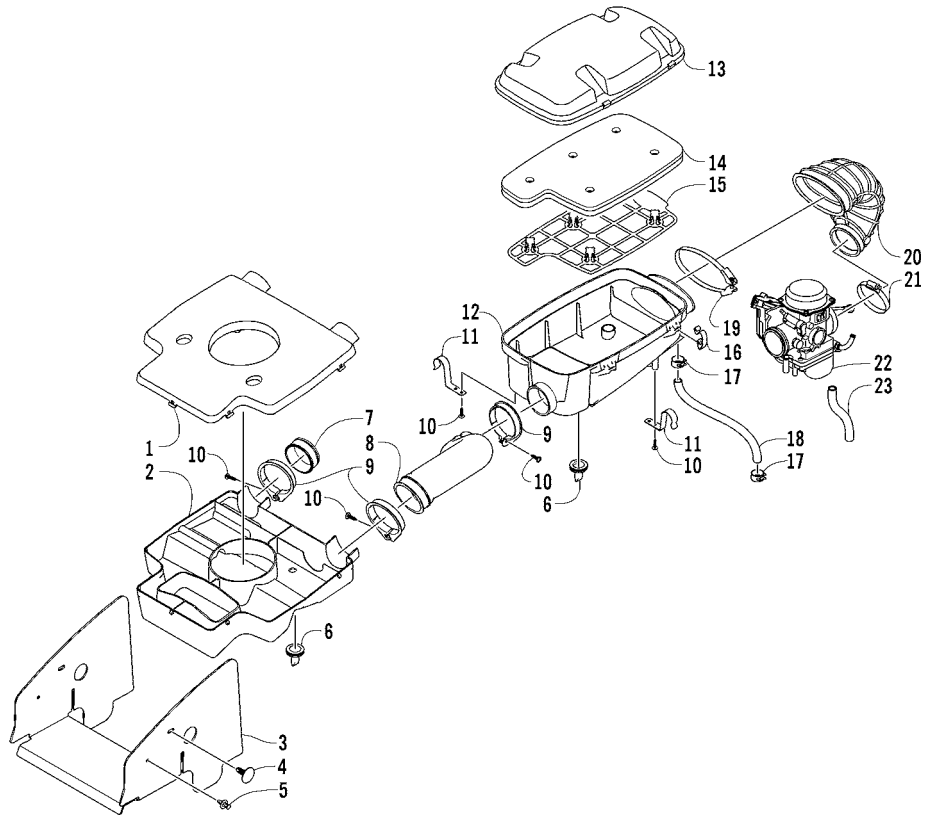
Ref.	Part No.	Qty.	Description	Ref.	Part No.	Qty.	Description
1	0570-102	1	Tank, Gas - Assembly (inc. 2-8)	11	0470-519	1	Pump, Fuel
2	0470-438	1	¥ Cap, Gas Tank (inc. 3)	12	8476-620	2	Screw, Machine
3	0109-733	1	¥ ¥ Gasket, Tank Cap	13	0623-038	2	Nut, Lock
4	0570-112	1	¥ Sensor, Fuel Level (inc. 5-6)	14	1623-233	4	Clamp, Hose
5	0470-521	1	¥ ¥ Seal, Fuel Level Sensor	15	0470-527	1	Fitting, Straight
6	0470-475	1	¥ ¥ Filter, Fuel	16	0423-460	2	Grommet
7	0470-546	1	¥ Plate, Mounting - Fuel Level Sensor	17	0570-081	1	Shield, Gas Tank - Assembly (inc. 18-19)
8	1623-158	4	¥ Screw, Self-Tapping	18	0470-499	1	¥ Shield, Heat
9	0423-461	4	Clamp, Hose	19	0470-498	1	¥ Shield, Heat
10	0410-070	AR	Hose, Gasline - 25 ft	20	8408-816	2	Screw, Cap



REVERSE SHIFT LEVER ASSEMBLY

0740-629

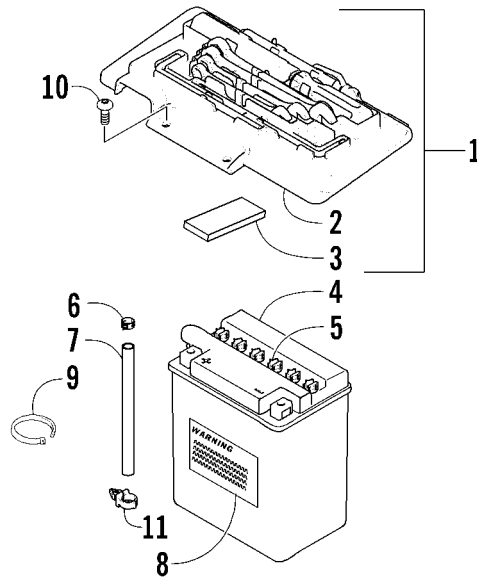
Ref.	Part No.	Qty.	Description	Ref.	Part No.	Qty.	Description
1	0402-843	1	Knob, Reverse Shift	11	0423-299	2	O-Ring
2	0423-345	1	Clip, Push	12	8408-812	1	Screw, Cap
3	<u>1402-335</u>	1	Gate, Shift	13	0423-087	1	Washer
4	0423-357	4	Nut, Stamped	14	0623-294	2	Nut
5	0502-659	1	Lever, Shift	15	1402-270	1	End, Rod
6	0502-410	1	Spring, Reverse Shift Lever	16	0502-589	1	Linkage, Shift
7	<u>0502-760</u>	1	Axle, Reverse Shift Lever	17	3423-204	1	Washer
8	8424-602	1	Nut	18	0423-091	1	Bushing, Shift Linkage
9	0423-182	2	O-Ring	19	0423-169	1	E-Ring
10	0402-675	1	Axle, Pivot				



AIR INTAKE ASSEMBLY

0740-630

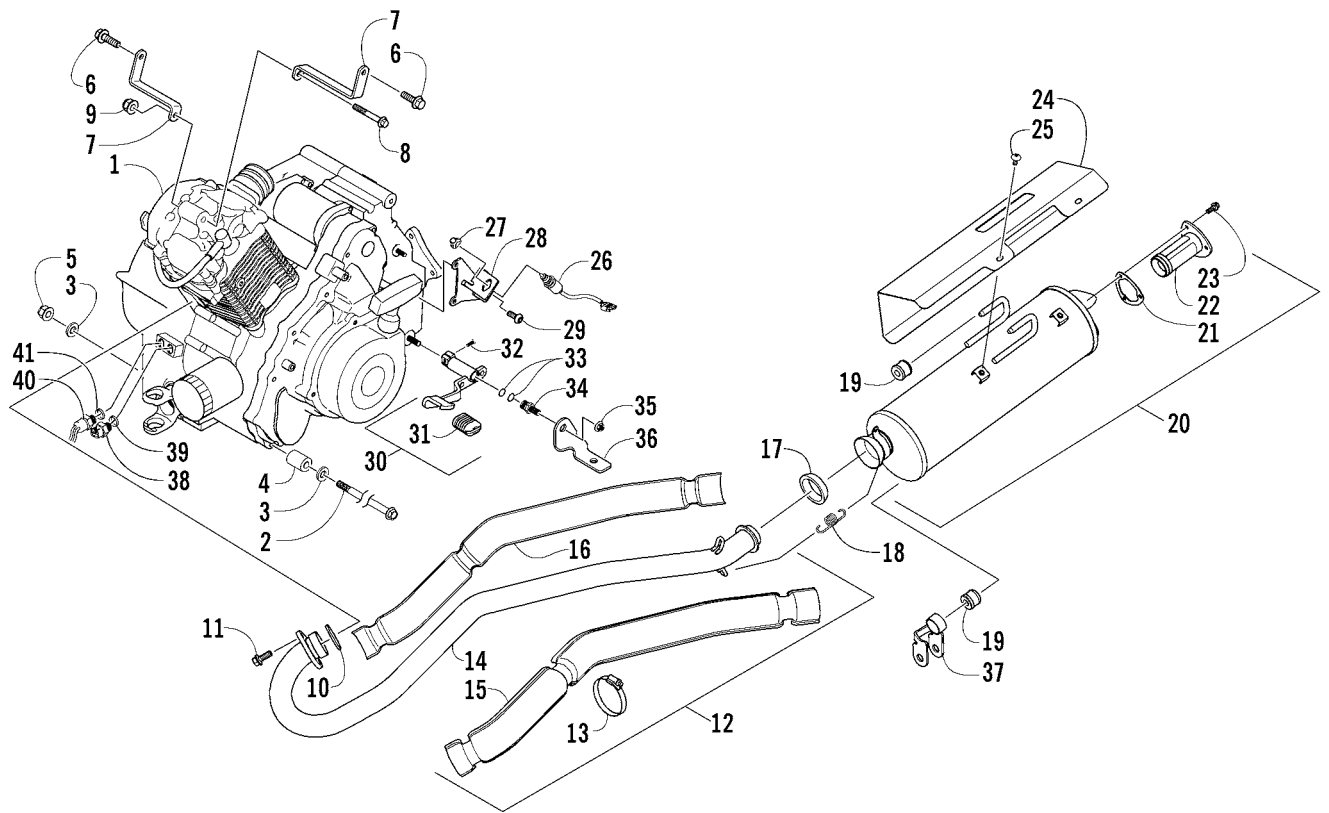
Ref.	Part No.	Qty.	Description	Ref.	Part No.	Qty.	Description
1	0413-091	1	Diverter, Air - Top	13	0470-554	1	Cover, Air Intake
2	0413-111	1	Diverter, Air - Bottom	14	0470-494	1	Filter, Air
3	<u>2406-013</u>	1	Shroud, Splash	15	0470-516	1	Screen, Air Filter
4	0623-544	2	Plug	16	0423-455	4	Clip, Spring
5	0623-362	2	Rivet, Reinstallable	17	0423-045	2	Clamp, Hose
6	0470-442	2	Valve, Drain	18	0410-087	1	Hose, Vent - Crankcase
7	0413-096	1	Cap, Air-In - Belt	19	0423-554	1	Clamp, Boot
8	0470-529	1	Boot, Air Intake	20	0470-517	1	Boot, Carburetor
9	0423-551	3	Clamp, Boot	21	0423-019	1	Clamp, Boot
10	0423-342	7	Screw, Self-Tapping	22	0470-537	1	Carburetor, CVK34-AE
11	0423-454	2	Clip, Mounting - Air Intake	23	0510-592	1	Hose, Carburetor Drain
12	0470-540	1	Housing, Air Intake				



BATTERY ASSEMBLY

0740-445 *Not Illustrated

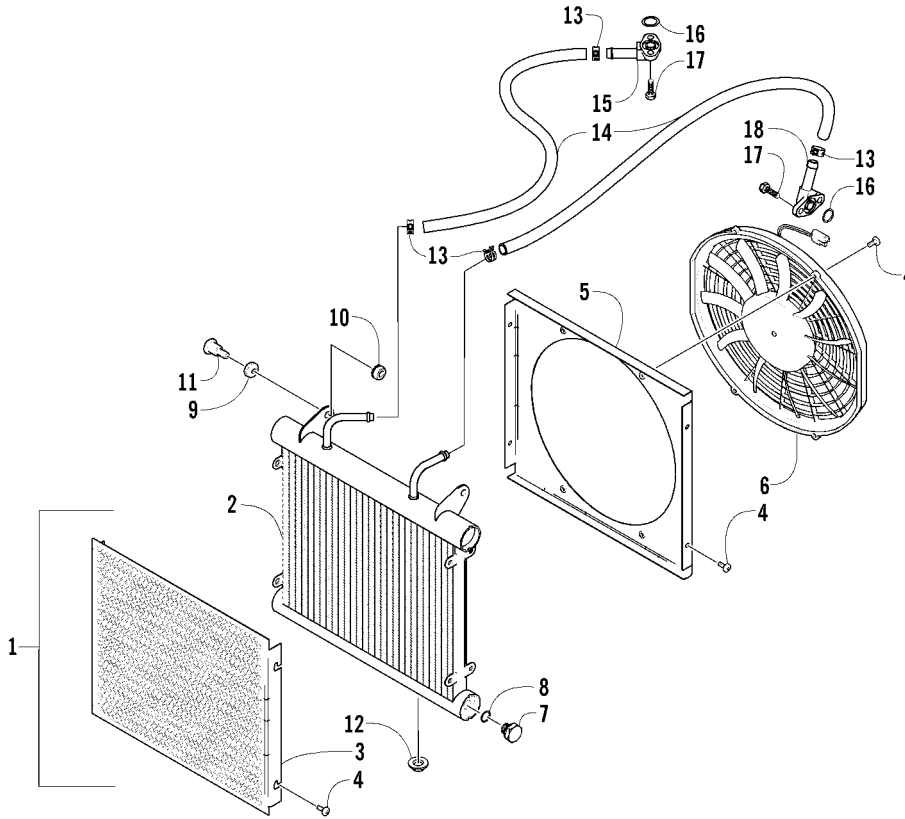
Ref.	Part No.	Qty.	Description	Ref.	Part No.	Qty.	Description
1	5990-839	1	Battery Cover/Tool Tray Assembly (inc. 2-3)	6	0645-152	1	¥ Clamp, Hose
2	1406-507	1	¥ Cover, Battery	7	0645-263	1	¥ Hose, Battery Vent
3	0406-288	2	¥ Pad, Battery	8	0645-151	1	¥ Label, Warning - Battery
*	0444-122	1	Kit, Tool	9	0123-903	4	Cable Tie - 11.5 in.
4	0745-045	1	Battery Assembly (inc. 5-8)	10	8476-616	2	Screw, Machine
5	0645-045	6	¥ Cap, Battery	11	0623-101	1	Routing Clip, Snap-In



ENGINE AND EXHAUST

0740-595

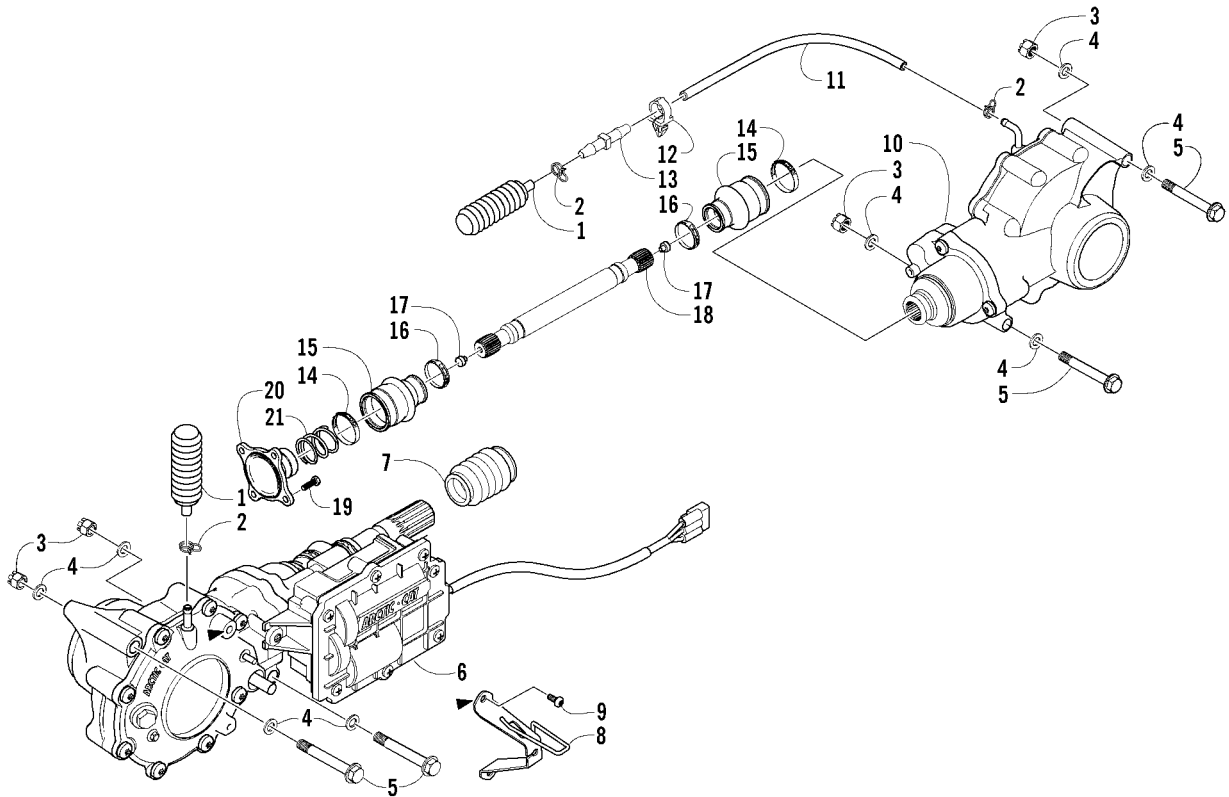
Ref.	Part No.	Qty.	Description	Ref.	Part No.	Qty.	Description
1	0462-035	1	Engine	22	0512-219	1	¥ Arrester, Spark - Assembly
2	0423-405	2	Screw, Cap	23	8408-616	3	¥ Screw, Cap
3	0423-426	4	Washer, Engine	24	0412-329	1	Cover, Muffler
4	0423-042	2	Spacer, Engine	25	8477-610	4	Screw, Machine
5	8428-002	2	Nut, Lock	26	0409-008	1	Switch, Reverse
6	8408-816	2	Screw, Cap	27	0402-991	1	Retainer, Reverse Switch
7	1506-626	1	Bracket, Engine - Right	28	1506-449	1	Bracket, Mounting - Reverse Switch (inc. 29)
	1506-625	1	Bracket, Engine - Left	29	0423-361	1	¥ Screw, Machine
8	8408-860	1	Screw, Cap	30	0502-871	1	Shift Lever, Toe - Assembly (inc. 31-32)
9	8424-802	1	Nut	31	1402-284	1	¥ Pad, Toe - Shift Lever
10	0412-007	1	Seal, Exhaust	32	8476-620	1	¥ Screw, Machine
11	8408-820	2	Screw, Cap	33	1602-213	2	O-Ring
12	0512-261	1	Pipe, Exhaust - Assembly (inc. 13-16)	34	0402-994	1	Pin, Shift Lever
13	0423-317	3	¥ Clamp, Hose	35	8422-002	1	Nut
14	0512-242	1	¥ Pipe, Exhaust	36	1506-693	1	Bracket, Shift Lever
15	0412-342	1	¥ Shield, Exhaust Pipe - Outer	37	1506-732	1	Channel, Muffler Support
16	0412-341	1	¥ Shield, Exhaust Pipe - Inner	38	3530-037	1	Switch, Oil Light
17	0612-188	1	Gasket, Exhaust	39	3402-556	1	Gasket
18	0612-668	2	Spring, Exhaust	40	3430-033	1	Switch, Cooling Fan
19	0412-215	3	Bushing, Exhaust	41	3402-013	1	Gasket
20	0512-235	1	Muffler - Assembly (inc. 21-23)				
21	0412-313	1	¥ Gasket, Spark Arrester				



OIL COOLER ASSEMBLY

0740-369

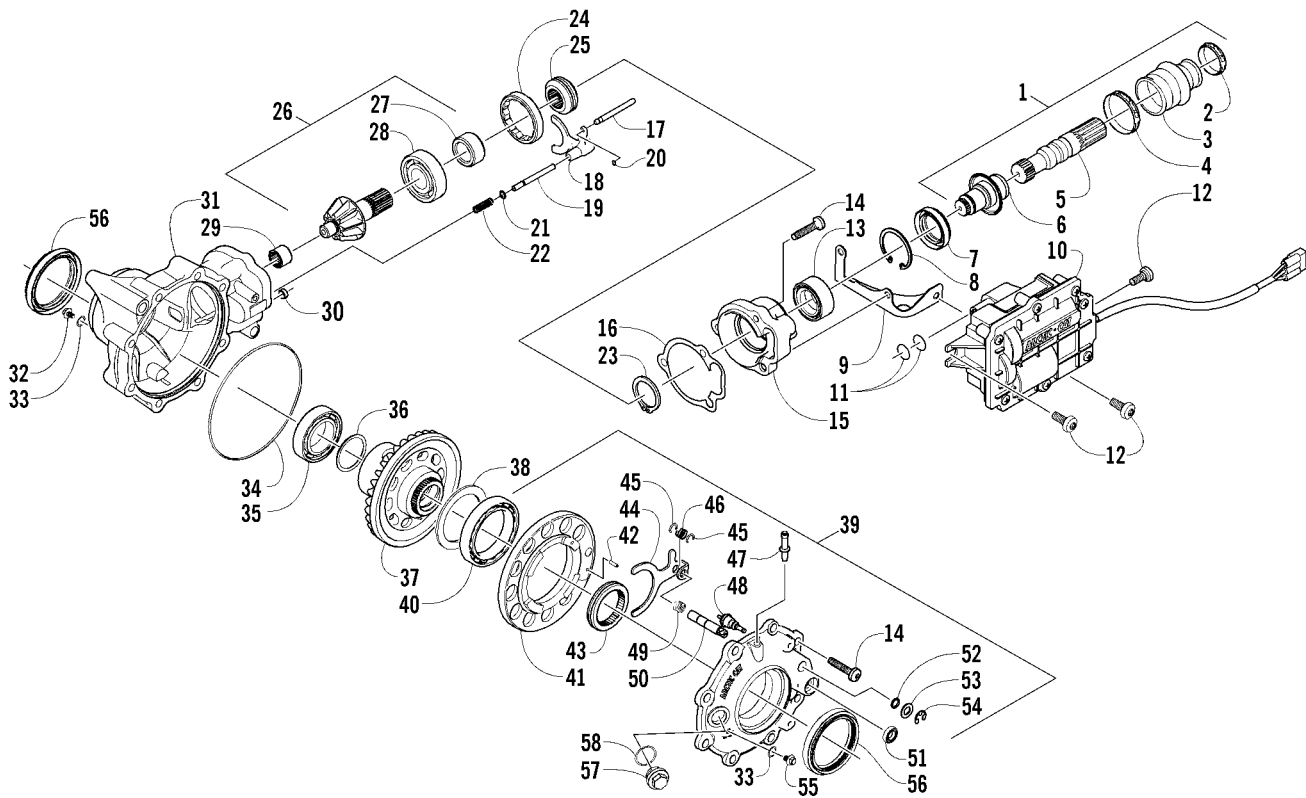
Ref.	Part No.	Qty.	Description	Ref.	Part No.	Qty.	Description
1	0413-118	1	Cooler, Oil - Assembly (inc. 2-9)	10	0623-038	2	Nut w/Washer
2	0413-053	1	¥ Cooler, Oil	11	0423-484	2	Screw, Shoulder
3	0413-007	1	¥ Screen, Oil Cooler	12	0423-028	2	Bushing, Stem
4	8475-512	12	¥ Screw, Machine	13	0423-098	4	Clamp, Hose
5	0413-064	1	¥ Shroud, Fan	14	0410-044	2	Hose, Oil
6	0413-123	1	¥ Fan, Cooling	15	0410-013	1	Fitting, Oil
7	0413-058	1	¥ Plug, Drain	16	0423-089	2	O-Ring, Oil Fitting
8	0413-059	1	¥ O-Ring	17	8471-616	4	Screw, Cap
9	0423-030	2	¥ Grommet	18	0410-012	1	Fitting, Oil - Angled



DRIVE TRAIN ASSEMBLY

0740-751

Ref.	Part No.	Qty.	Description	Ref.	Part No.	Qty.	Description
1	0402-147	2	Bladder, Gearcase	12	0623-101	1	Clip, Routing - Snap-In
2	0423-315	4	Clamp, Fitting	13	0470-462	1	Fitting, Vent
3	8428-002	4	Nut, Lock	14	0423-393	2	Clamp, Boot
4	0423-426	10	Washer	15	0402-985	2	Boot
5	0423-404	4	Screw, Cap	16	0423-411	2	Clamp, Boot
6	0502-753	1	Gearcase, Front	17	0673-618	2	Bumper, Propeller Shaft
7	0402-966	1	Boot, Shaft	18	1402-233	1	Shaft, Propeller
8	0502-500	1	Plate, Cable	19	8408-820	4	Screw, Cap
9	0423-396	2	Screw, Self-Tapping	20	0402-950	1	Flange, Output
10	0502-642	1	Gearcase, Rear	21	1402-026	1	Spring
11	0410-049	AR	Hose, Vent				

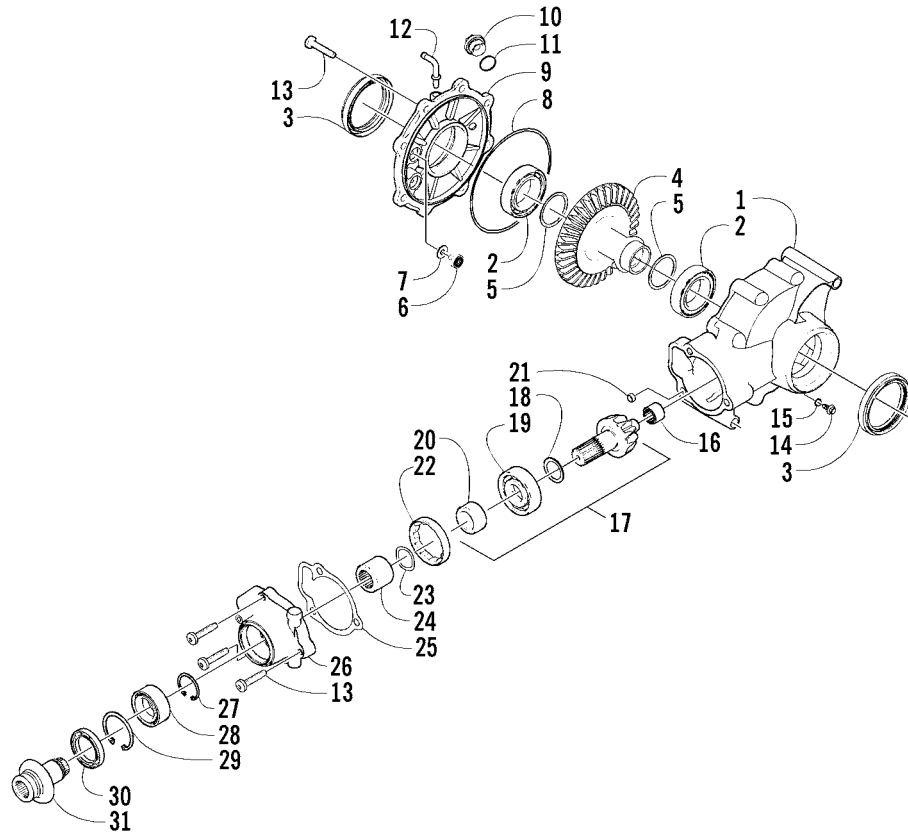


FRONT DRIVE GEARCASE ASSEMBLY

(Complete Assembly p/n 0502-753)

0740-455

Ref.	Part No.	Qty.	Description	Ref.	Part No.	Qty.	Description
1	0502-386	1	Shaft, Propeller - Assembly (inc. 2-6)	35	0402-393	1	Bearing
2	0423-411	1	¥ Clamp, Boot	36	0402-405	AR	Shim
3	0402-985	1	¥ Boot, Propeller Shaft		0402-406	AR	Shim
4	0423-393	1	¥ Clamp, Boot		0402-407	AR	Shim
5	1402-046	1	¥ Shaft, Output		0402-408	AR	Shim
6	0502-407	1	¥ Shaft, Input		0402-409	AR	Shim
7	1402-011	1	Seal	37	0502-851	1	Gear, Ring - 36T
8	0423-423	1	Ring, Retaining	38	1402-074	AR	Shim
9	0502-347	1	Bracket, Actuator		1402-075	AR	Shim
10	0502-579	1	Actuator (inc. one No. 11)		1402-076	AR	Shim
11	0423-498	2	¥ O-Ring		1402-077	AR	Shim
12	0423-396	3	Screw, Self-Tapping		1402-078	AR	Shim
13	1402-043	1	Bearing	39	0502-434	1	Cover, Gearcase (inc. one No. 33, 40-55, and one No. 56)
14	0423-118	11	Screw, Self-Tapping	40	1402-053	1	¥ Bearing
15	0502-528	1	Housing, Pinion	41	0502-413	1	¥ Flange, Bearing
16	0402-947	1	Gasket, Flange	42	1402-079	1	¥ Pin, Parallel
17	0402-997	1	Shaft, Selector	43	1402-042	1	¥ Collar, Sliding
18	0402-998	1	Fork, Selector	44	1402-054	1	¥ Fork
19	0402-417	1	Shaft, Shuttle	45	1402-058	2	¥ Ring, Retaining
20	0423-402	1	Ring, Retaining	46	1402-057	1	¥ Spring
21	0423-147	1	O-Ring	47	1402-104	1	¥ Fitting
22	0402-999	1	Spring, Return	48	0402-419	1	¥ Switch, Indicator
23	0423-417	1	Ring, Retaining	49	1402-063	1	¥ Spring
24	0402-357	1	Collar, Lock	50	1402-055	1	¥ Shaft, Lock
25	0402-413	1	Coupler, Drive	51	1402-056	1	¥ Seal
26	0502-783	1	Gear, Pinion - Assembly - 10T (inc. 27-28)	52	0423-133	1	¥ O-Ring
27	0402-336	1	¥ Collar, Retaining	53	0423-132	1	¥ Washer
28	0402-327	1	¥ Bearing	54	0423-424	1	¥ Ring, Retaining
29	0402-328	1	Bearing	55	1402-211	1	¥ Plug, Oil Level (inc. one No. 33)
30	0402-411	1	Pin, Dowel	56	0402-394	2	¥ Seal
31	0502-514	1	Housing, Gearcase	57	0402-333	1	Plug, Fill (inc. 58)
32	1402-210	1	Plug, Magnetic (inc. one No. 33)	58	0423-154	1	¥ O-Ring
33	0423-153	2	¥ O-Ring				
34	0423-149	1	O-Ring				

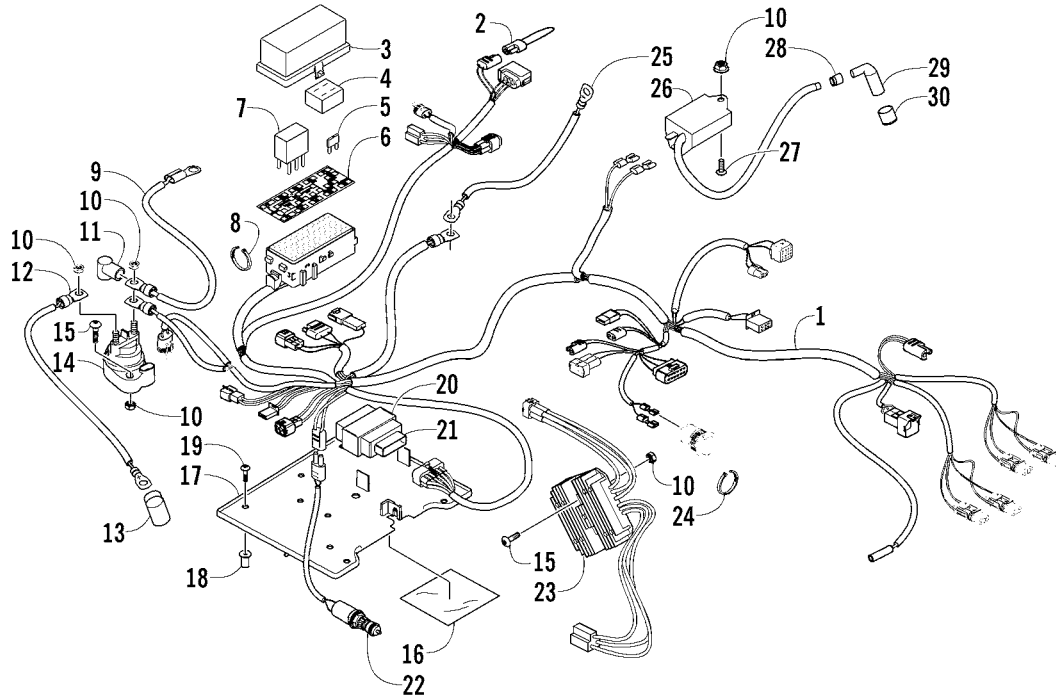


REAR DRIVE GEARCASE ASSEMBLY

(Complete Assembly p/n 0502-642)

0739-580

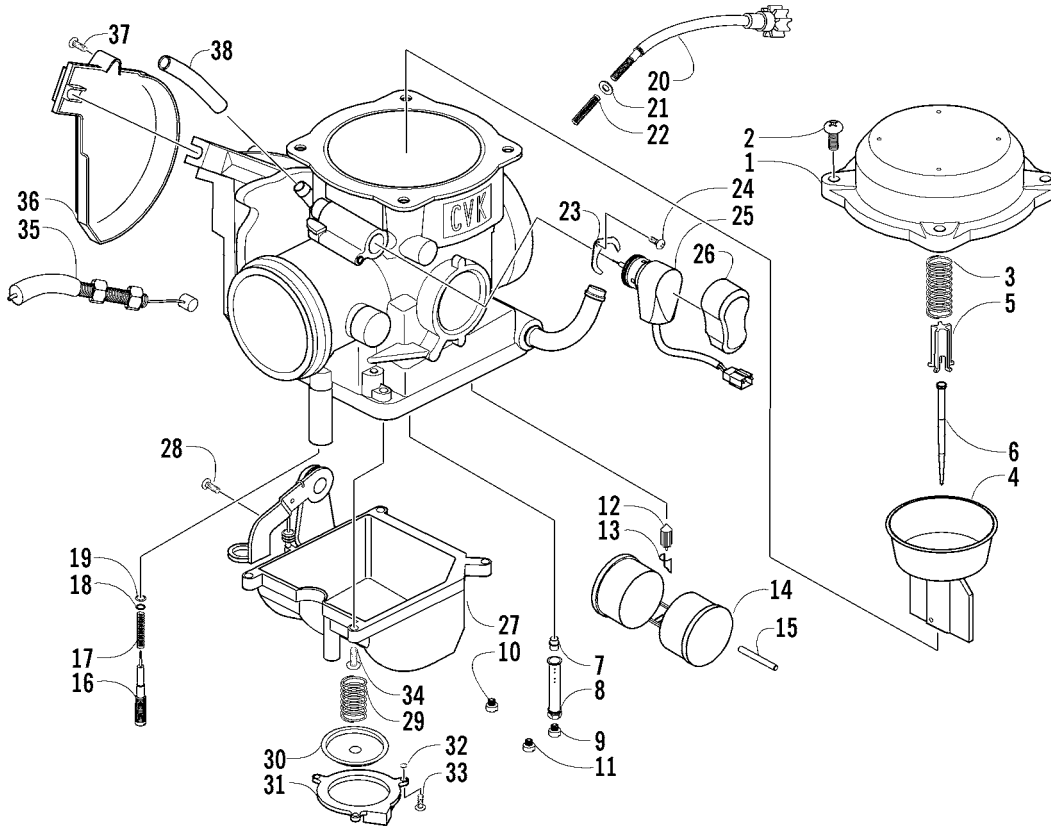
Ref.	Part No.	Qty.	Description	Ref.	Part No.	Qty.	Description
1	0502-352	1	Housing, Gearcase	15	0423-153	1	¥ O-Ring
2	0402-393	2	Bearing	16	0402-328	1	Bearing
3	0402-394	2	Seal	17	0502-123	1	Gear, Pinion - Assembly - 10T (inc. 18-20)
4	1402-032	1	Gear, Ring - 36T	18	0402-424	AR	¥ Shim
5	0402-405	AR	Shim		0402-425	AR	¥ Shim
	0402-406	AR	Shim		0402-426	AR	¥ Shim
	0402-407	AR	Shim		0402-427	AR	¥ Shim
	0402-408	AR	Shim		0402-428	AR	¥ Shim
	0402-409	AR	Shim	19	0402-327	1	¥ Bearing
6	0402-326	1	Button, Thrust	20	0402-336	1	¥ Collar, Retaining
7	0402-429	AR	Shim	21	0402-411	1	Pin, Dowel
	0402-430	AR	Shim	22	0402-331	1	Collar, Lock
	0402-431	AR	Shim	23	0402-982	1	Washer, Wave
	0402-432	AR	Shim	24	0402-981	1	Collar, Shaft
	0402-433	AR	Shim	25	0402-947	1	Gasket, Flange
8	0423-149	1	O-Ring	26	0502-529	1	Housing, Pinion
9	0502-346	1	Cover, Gearcase	27	0423-417	1	Ring, Retaining
10	0402-333	1	Plug, Fill (inc. 11)	28	1402-043	1	Bearing
11	0423-154	1	¥ O-Ring	29	0423-423	1	Ring, Retaining
12	1402-102	1	Fitting	30	1402-011	1	Seal
13	0423-118	11	Screw, Self-Tapping	31	0502-407	1	Shaft, Input
14	0402-450	1	Plug, Magnetic (inc. 15)				



WIRING HARNESS ASSEMBLY

0740-631

Ref.	Part No.	Qty.	Description	Ref.	Part No.	Qty.	Description
1	0486-179	1	Harness, Main (inc. 2-7 and two No. 8)	15	8476-625	4	Screw, Machine
2	0486-164	1	¥ Tether, Accessory Connector	16	0412-291	1	Shield, Heat
3	0530-008	1	¥ Cover, Fuse Block	17	1406-787	1	Tray, Electrical
4	0430-037	1	¥ Holder, Spare Fuse	18	0123-010	4	Nut, Expansion
5	0430-032	4	¥ Fuse - 10 Amp	19	0623-121	4	Screw, Machine
	0430-031	3	¥ Fuse - 15 Amp	20	3402-684	1	Cushion, CDI Unit
	0430-030	2	¥ Fuse - 30 Amp	21	3402-683	1	CDI Unit
6	0411-837	1	¥ Decal, Fuse Block	22	0409-072	1	Switch, Brake - Assembly
7	0430-033	3	¥ Relay	23	3402-682	1	Regulator, Voltage
8	0123-788	AR	¥ Cable Tie - 7.5 in.	24	0123-903	AR	Cable Tie - 11.5 in.
9	0445-053	1	Cable, Solenoid/Starter	25	0445-054	1	Cable, Battery/Ground
10	0623-038	7	Nut, Lock	26	3430-055	1	Coil, Ignition - Assembly
11	0645-327	1	Boot, Terminal	27	8476-620	1	Screw, Machine
12	0445-055	1	Cable, Battery/Solenoid	28	3430-009	1	Seal, High Tension Wire
13	0645-019	1	Boot, Terminal	29	3430-007	1	Cap, Spark Plug
14	0445-036	1	Solenoid	30	3430-008	1	Seal, Spark Plug

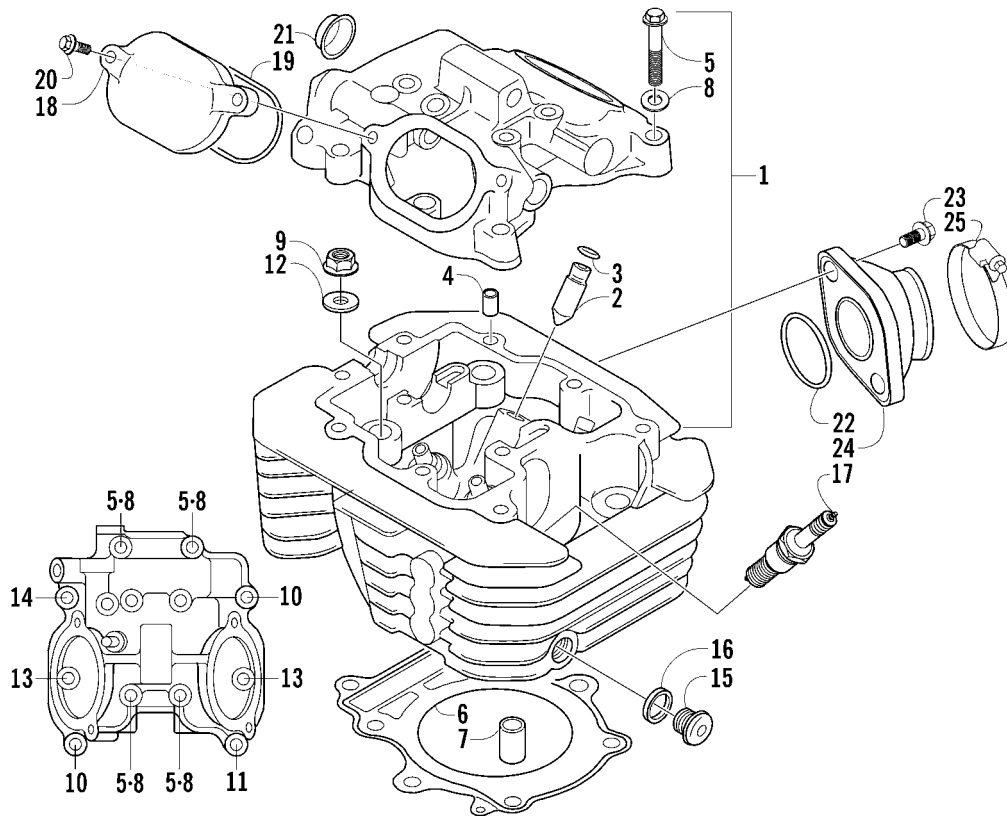


CARBURETOR

CVK34-AE (Complete Assembly p/n 0470-537)

0740-480 *Not a Service Part **Optional

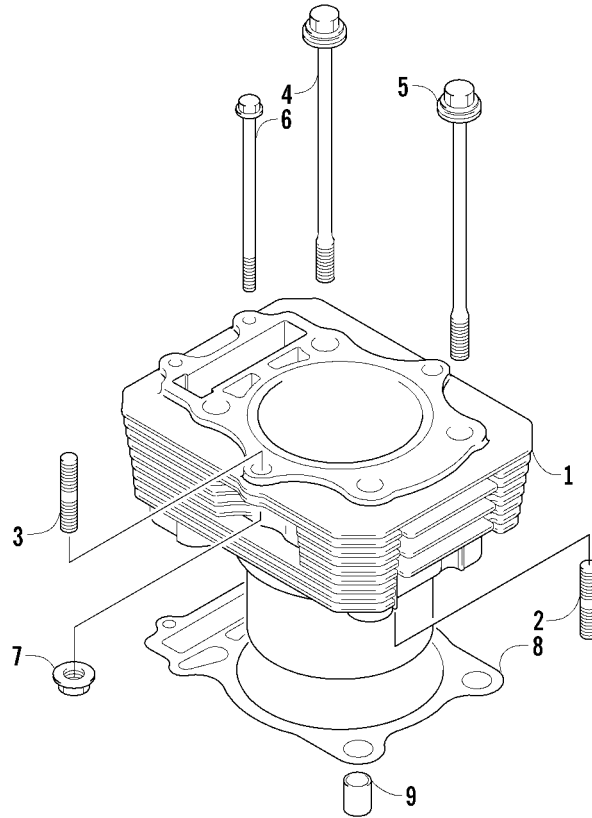
Ref.	Part No.	Qty.	Description	Ref.	Part No.	Qty.	Description
1	5507-001	1	Cover, Top	18	*	1	¥ Washer
2	5507-002	4	Screw, Top Cover	19	*	1	¥ O-Ring
3	5507-173	1	Spring	20	5507-027	1	Screw, Idle Adjust
4	5507-109	1	Piston, Vacuum	21	5507-028	1	Washer
5	5507-005	1	Seat, Spring	22	5507-029	1	Spring
6	5507-110	1	Jet Needle	23	5507-115	1	Plate
7	5507-007	1	Needle Jet	24	5507-117	1	Screw
8	5507-174	1	Holder, Needle Jet	25	5507-180	1	Choke, Electric
9	5507-042	1	Main Jet - 145	26	5507-114	1	Cover, Electric Choke
	5507-009	1	Main Jet - 150**	27	5507-181	1	Chamber, Float - Assembly (inc. 28-33)
	5507-041	1	Main Jet - 147**	28	5507-050	1	¥ Screw, Drain
	5507-043	1	Main Jet - 142**	29	5507-032	1	¥ Spring
	5507-044	1	Main Jet - 140**	30	5507-182	1	¥ Diaphragm Assembly
10	5507-010	1	Slow Jet - 38	31	*	1	¥ Housing, Pump
11	5507-179	1	Starter Jet - 75	32	5507-034	1	¥ U-Ring
12	5507-183	1	Valve, Float - Set (inc. 13)	33	5507-035	3	¥ Screw
13	*	1	¥ Clip	34	5507-017	4	Screw
14	5507-039	1	Float Set (inc. 15)	35	0487-021	1	Cable, Throttle
15	*	1	¥ Pin, Float	36	5507-036	1	Cover
16	5507-111	1	Screw, Pilot Air - Set (inc. 17-19)	37	5507-037	1	Screw
17	*	1	¥ Spring	38	0410-056	1	Hose, Vent



CYLINDER HEAD ASSEMBLY

0738-415 *Not Illustrated

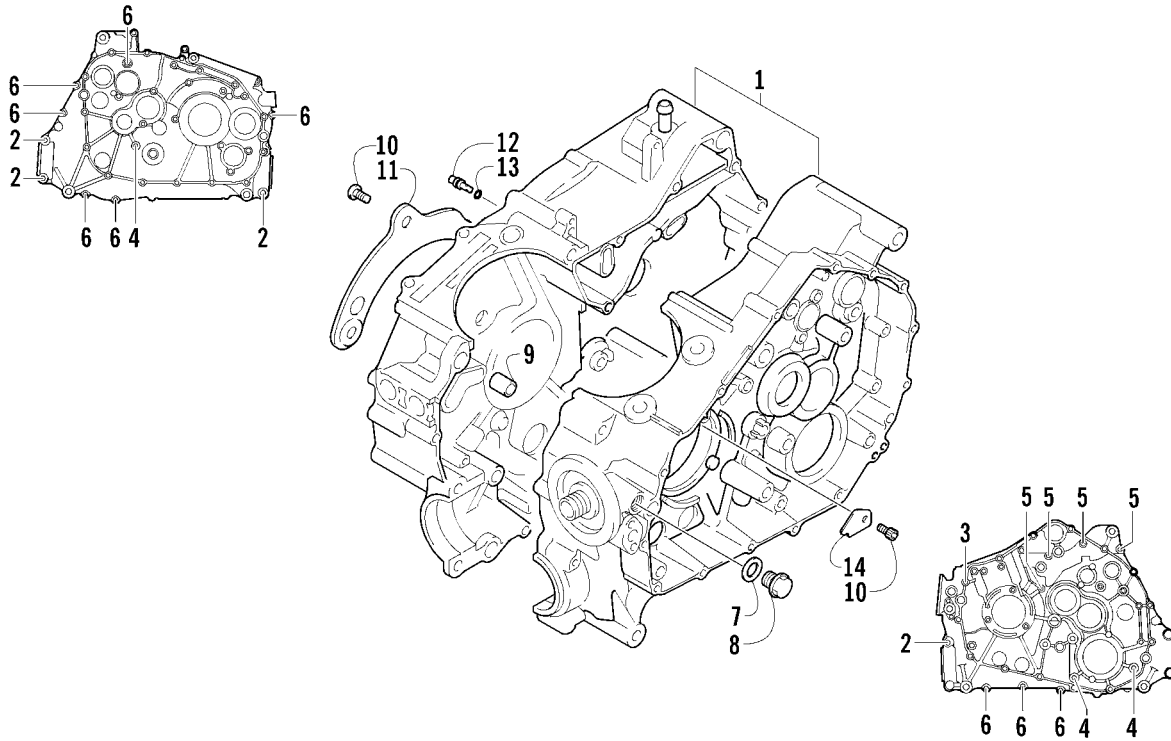
Ref.	Part No.	Qty.	Description	Ref.	Part No.	Qty.	Description
1	3402-576	1	Head, Cylinder - Assembly (inc. 2-5)	14	3008-376	1	Bolt, Head Cover
2	3402-099	2	¥ Guide, Valve	15	3423-453	1	Plug, Oil Gallery
3	3423-068	4	¥ Ring, Valve Guide	16	3402-011	1	Gasket, Oil Gallery Plug
4	3423-043	2	¥ Pin, Dowel	17	0217-708	1	Spark Plug (NGK CR7E)
5	3423-006	4	¥ Bolt	18	3402-100	2	Cap, Inspection
6	3402-577	1	Gasket, Cylinder Head	19	3402-101	2	O-Ring
7	3423-449	2	Pin, Dowel	20	3004-341	4	Bolt, Inspection Cap
8	3003-290	4	Gasket	21	3402-035	1	Plug, Head
9	3423-326	2	Nut, Cylinder Head	22	3423-353	1	O-Ring
10	3423-007	2	Bolt, Head Cover	23	8476-620	2	Screw, Machine
11	3423-429	1	Bolt, Head Cover	24	0570-084	1	Manifold, Intake
12	3423-439	4	Washer, Cylinder Head Nut	25	0423-317	1	Clamp
13	3004-376	2	Bolt, Head Cover	*	3402-048	1	Plug, Frost



CYLINDER ASSEMBLY

0737-039

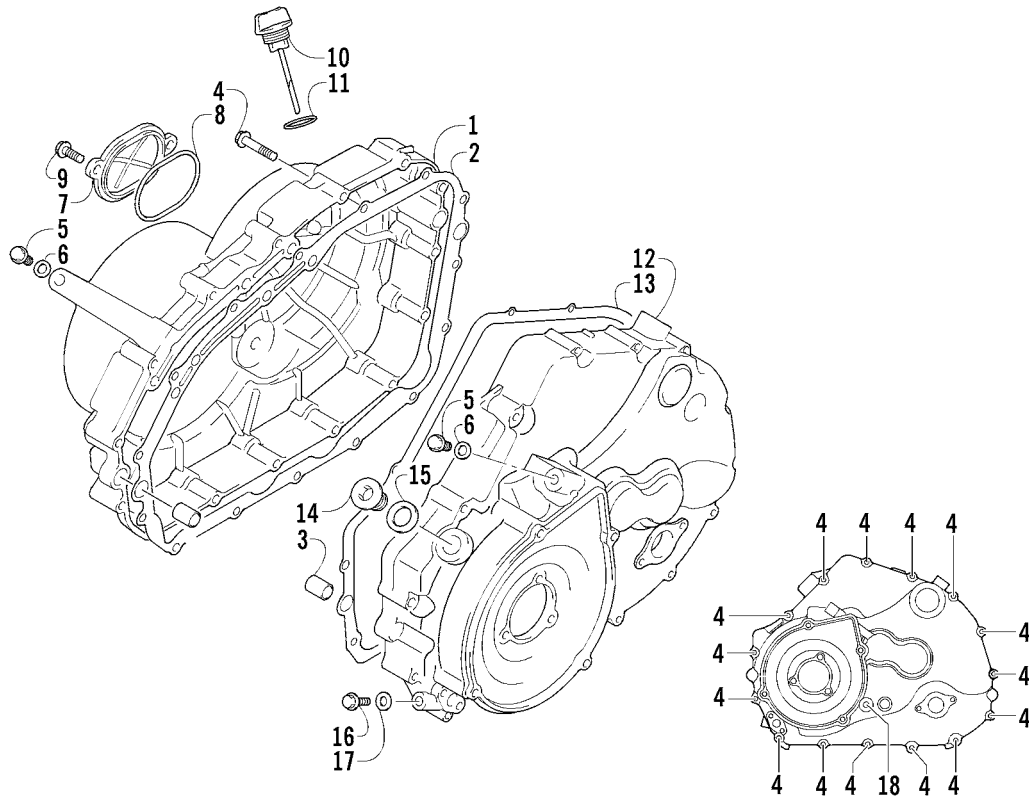
Ref.	Part No.	Qty.	Description	Ref.	Part No.	Qty.	Description
1	3402-578	1	Cylinder	6	3423-427	2	Bolt
2	3423-384	2	Bolt, Stud	7	3004-488	2	Nut
3	3004-778	2	Bolt, Stud	8	3402-579	1	Gasket, Cylinder
4	3423-431	2	Bolt	9	3423-088	2	Pin, Dowel
5	3423-432	2	Bolt				



CRANKCASE ASSEMBLY

0739-903

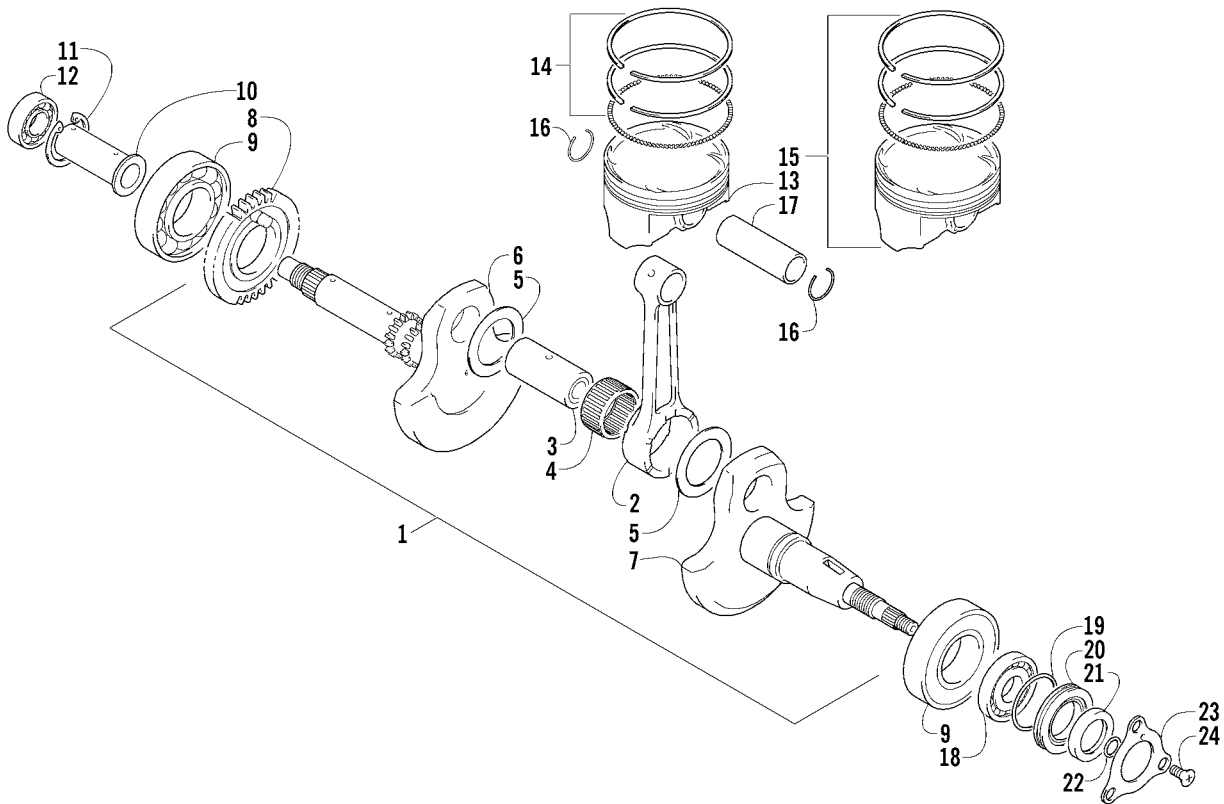
Ref.	Part No.	Qty.	Description	Ref.	Part No.	Qty.	Description
1	3402-763	1	Crankcase Assembly (inc. 2-9)	8	3402-214	1	¥ Plug, Oil Pressure
2	3004-880	4	¥ Bolt	9	3423-088	2	¥ Pin, Dowel
3	3005-332	1	¥ Bolt	10	3004-552	4	Screw, Oil Guide Plate
4	3005-410	3	¥ Bolt	11	3402-764	1	Plate, Oil Guide - Right
5	3423-097	4	¥ Bolt	12	3402-691	1	Jet, Oil Gallery
6	3423-091	8	¥ Bolt	13	3423-051	1	O-Ring, Oil Gallery Jet
7	3402-012	1	¥ Gasket, Oil Pressure Plug	14	3402-582	1	Plate, Oil Guide - Left



CRANKCASE COVER ASSEMBLY

0737-722

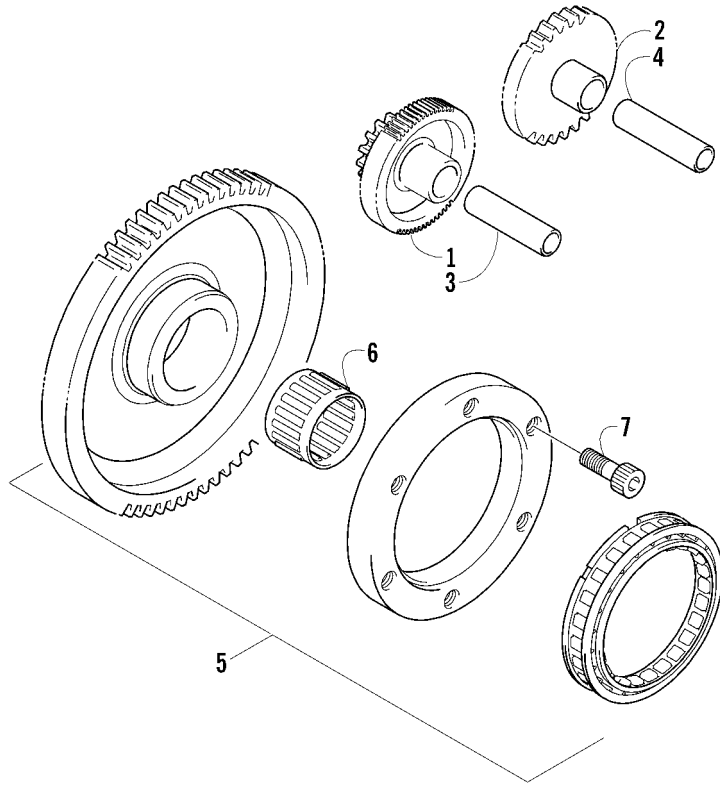
Ref.	Part No.	Qty.	Description	Ref.	Part No.	Qty.	Description
1	3402-991	1	Cover, Clutch	10	3402-593	1	Stick, Oil Level
2	3402-766	1	Gasket	11	3423-055	1	O-Ring, Oil Level Stick
3	3423-088	4	Pin, Dowel	12	3402-767	1	Cover, Magneto
4	3423-098	30	Bolt	13	3402-768	1	Gasket, Magneto Cover
5	3004-338	2	Plug, Oil Gallery	14	3423-180	1	Plug
6	3003-290	2	Gasket	15	3402-013	1	Gasket
7	3402-100	1	Cap, Inspection	16	3004-705	1	Plug, Drain
8	3402-101	1	O-Ring, Inspection Cap	17	3402-444	1	Gasket, Drain Plug
9	3004-341	2	Bolt, Inspection Cap	18	3423-430	1	Bolt



CRANKSHAFT ASSEMBLY

0739-873 *Optional

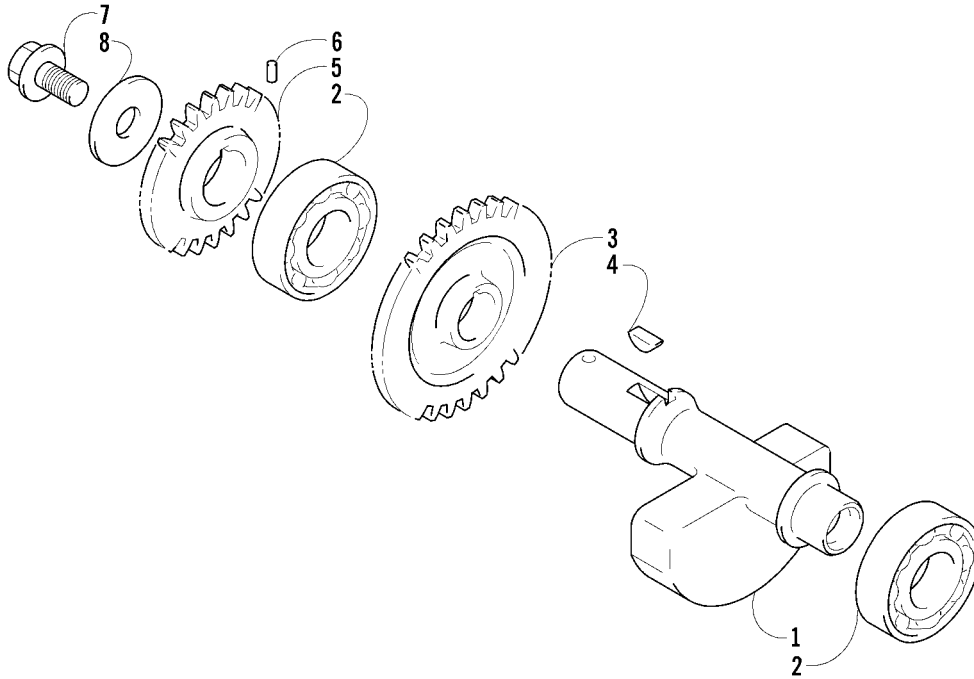
Ref.	Part No.	Qty.	Description	Ref.	Part No.	Qty.	Description
1	3402-992	1	Crankshaft Assembly (inc. 2-8)	13	3402-594	1	Piston
2	3402-597	1	¥ Rod, Connecting	14	3402-595	1	Ring, Piston - Set
3	3402-769	1	¥ Pin, Crank	15	3436-015	1	Piston Set (Oversized 0.50 mm)*
4	3402-571	1	¥ Bearing	16	3003-439	2	Circlip
5	3423-440	2	¥ Washer	17	3402-596	1	Pin, Piston
6	3402-993	1	¥ Crankshaft - Right	18	3402-051	1	Bearing
7	3403-019	1	¥ Crankshaft - Left	19	3423-063	1	O-Ring
8	3402-698	1	¥ Gear, Crank Balancer Drive	20	3423-542	1	Spacer
9	3402-994	2	Bearing - Middle	21	3402-070	1	Seal, Oil
10	3423-768	1	Spacer	22	3423-053	1	O-Ring
11	3402-771	1	Circlip	23	3402-188	1	Retainer, Crankshaft Oil Seal - Left
12	3402-216	1	Bearing - Right	24	3423-018	3	Screw, Retainer



STARTER CLUTCH ASSEMBLY

0737-043

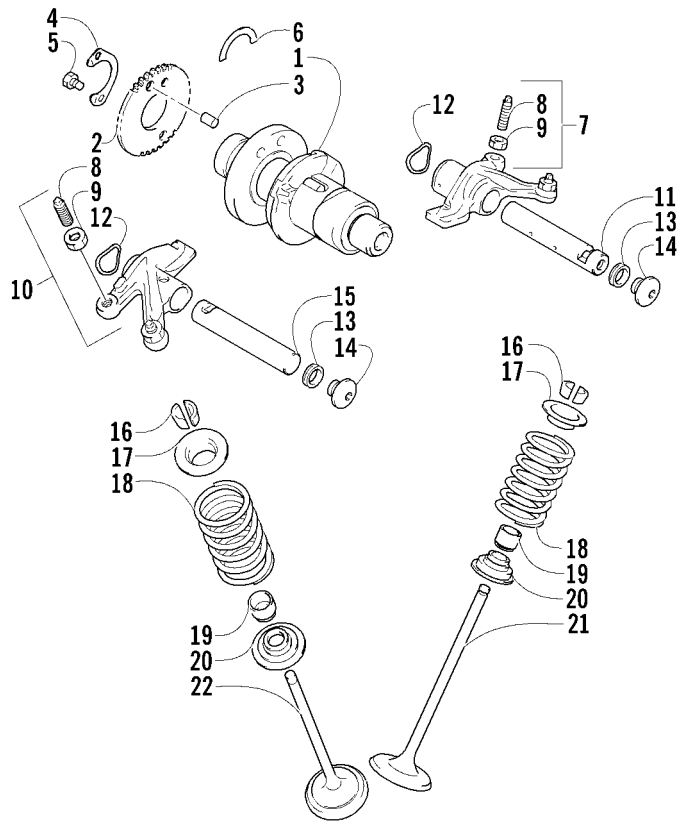
Ref.	Part No.	Qty.	Description	Ref.	Part No.	Qty.	Description
1	3402-603	1	Gear, Starter Idler - No. 1	5	3402-690	1	Clutch, Starter - Set (inc. 6)
2	3402-124	1	Gear, Starter Idler - No. 2	6	3402-674	1	¥ Bearing
3	3423-331	1	Pin, Starter Idler Gear No. 1	7	3423-102	6	Bolt
4	3423-397	1	Pin, Starter Idler Gear No. 2				



CRANK BALANCER ASSEMBLY

0737-728

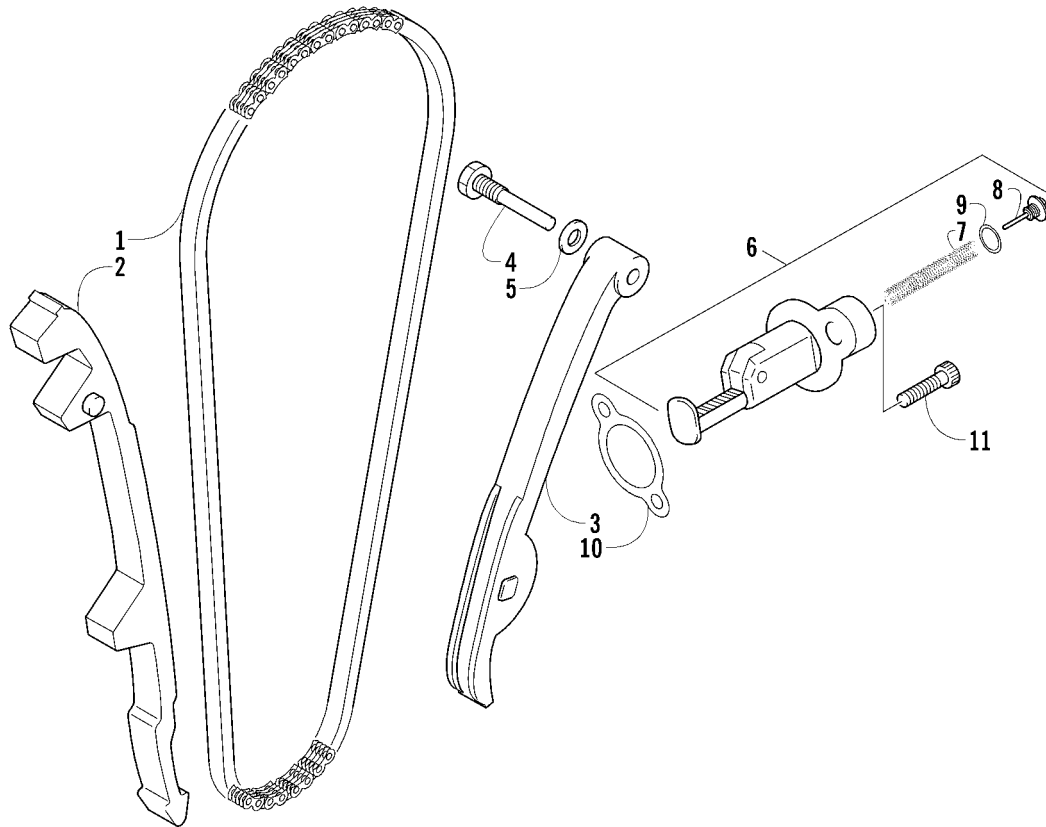
Ref.	Part No.	Qty.	Description	Ref.	Part No.	Qty.	Description
1	3402-605	1	Balancer, Crank	5	3402-617	1	Gear, Oil Pump Drive
2	3402-553	2	Bearing	6	3423-110	1	Pin, Drive Gear
3	3402-772	1	Gear, Driven - No. 1	7	3423-555	1	Bolt, Drive Gear
4	3004-540	1	Key	8	3423-401	1	Washer, Drive Gear



CAMSHAFT/VALVE ASSEMBLY

0737-730

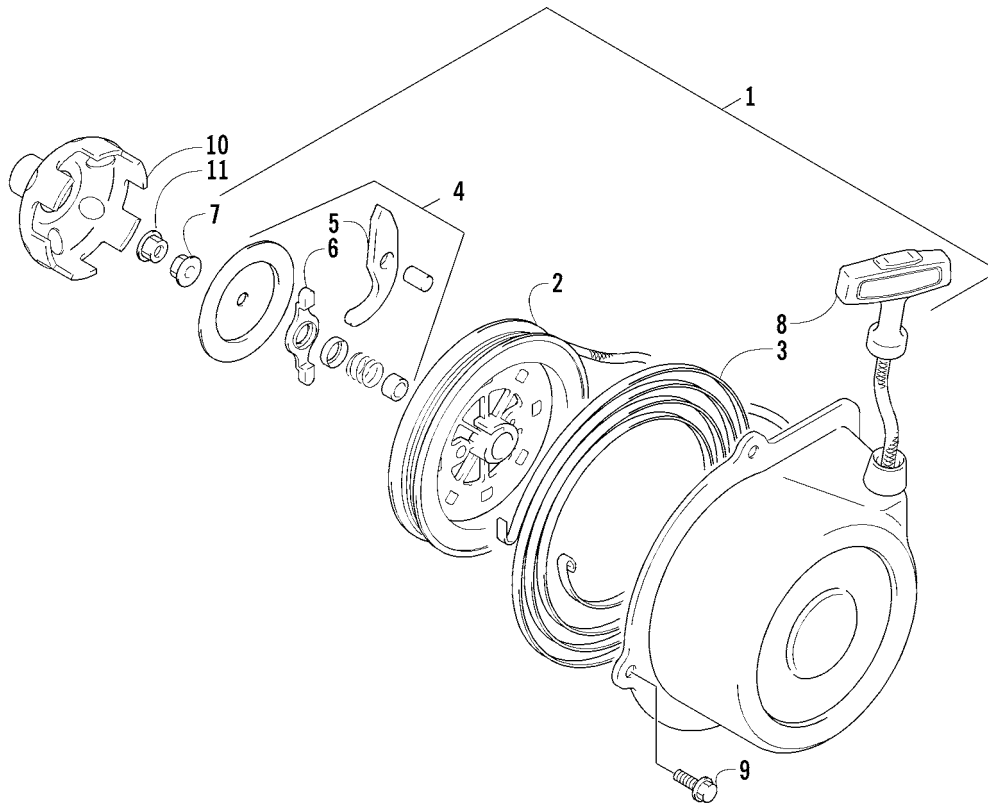
Ref.	Part No.	Qty.	Description	Ref.	Part No.	Qty.	Description
1	3402-989	1	Camshaft	11	3402-140	1	Shaft, Rocker Arm
2	3402-611	1	Sprocket	12	3423-031	2	Washer
3	3423-047	1	Pin	13	3402-012	2	Gasket
4	3423-073	1	Washer	14	3402-040	2	Plug, Shaft
5	3423-013	2	Bolt	15	3402-141	1	Shaft, Rocker Arm
6	3423-071	1	C-Ring	16	3402-147	8	Cotter, Valve
7	3402-805	1	Arm, Valve Rocker - Intake (inc. two No. 8-9)	17	3423-541	4	Retainer, Spring
8	3423-075	4	¥ Screw	18	3402-726	4	Spring, Valve
9	3423-076	4	¥ Nut	19	3402-078	4	Seal, Oil
10	3402-139	1	Arm, Valve Rocker - Exhaust (inc. two No. 8-9)	20	3402-148	4	Seat, Spring
				21	3402-725	2	Valve, Intake
				22	3402-143	2	Valve, Exhaust



CAM CHAIN ASSEMBLY

0737-051

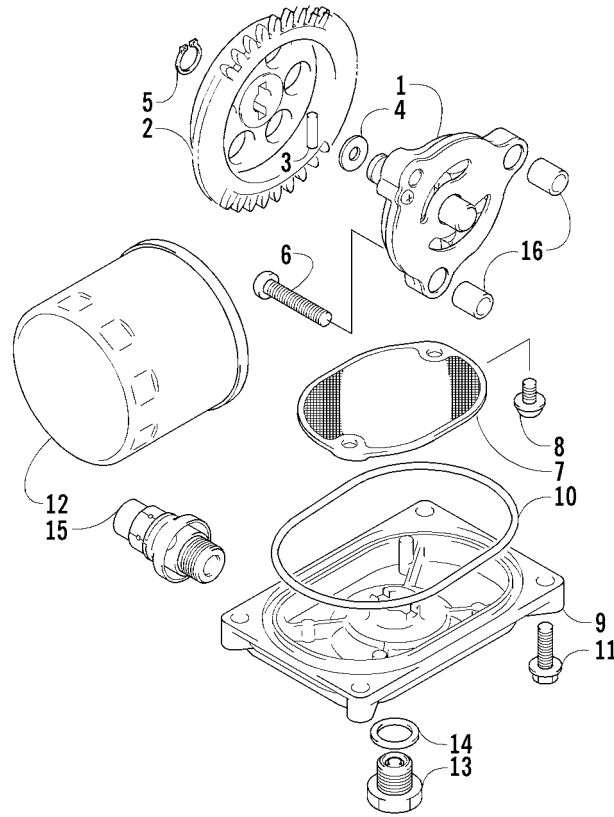
Ref.	Part No.	Qty.	Description	Ref.	Part No.	Qty.	Description
1	3402-281	1	Chain, Cam	7	3423-484	1	¥ Spring
2	3402-612	1	Guide, Cam Chain	8	3423-485	1	¥ Plug
3	3402-613	1	Tensioner, Cam Chain	9	3423-286	1	¥ O-Ring
4	3423-074	1	Bolt	10	3403-020	1	Gasket, Adjuster
5	3402-436	1	Washer	11	3004-512	2	Bolt
6	3402-614	1	Adjuster, Tensioner - Assembly (inc. 7-9)				



RECOIL STARTER ASSEMBLY

0737-034

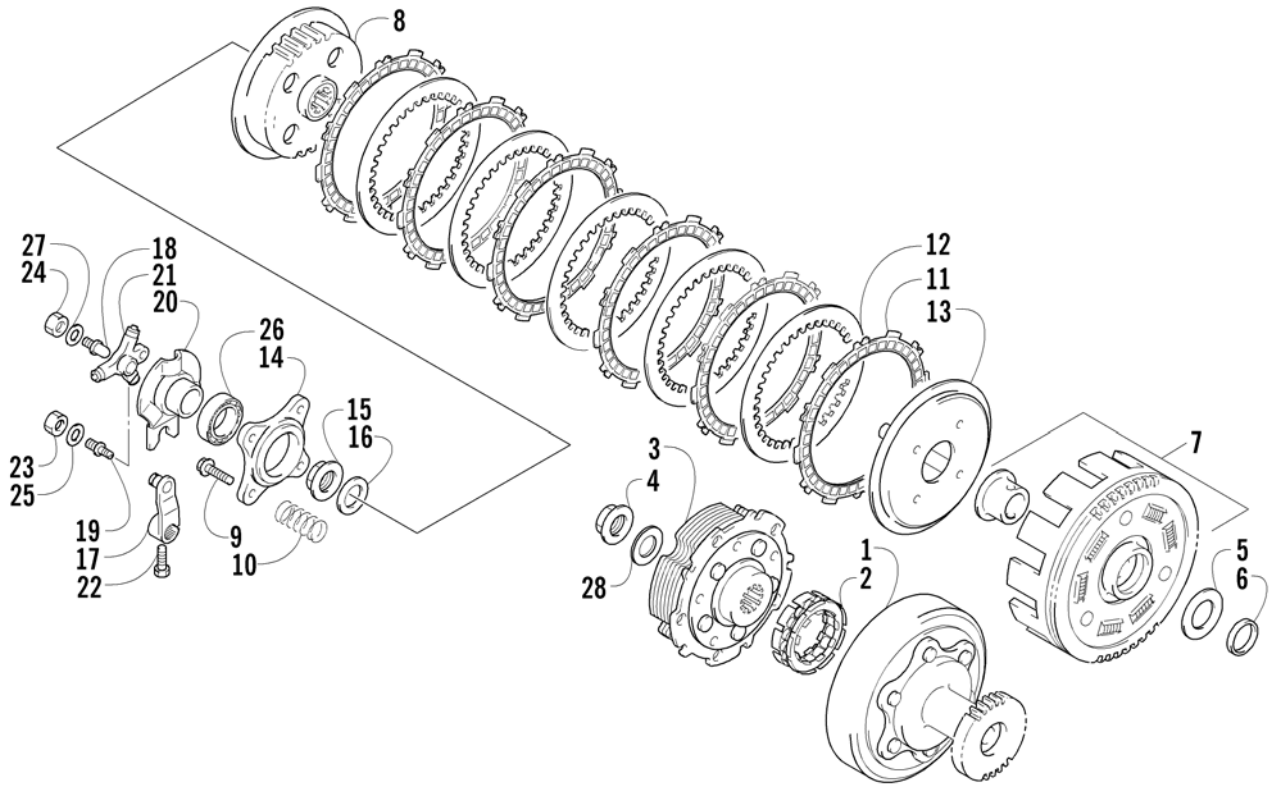
Ref.	Part No.	Qty.	Description	Ref.	Part No.	Qty.	Description
1	3445-003	1	Starter, Recoil - Assembly (inc. 2-8)	7	3004-488	1	¥ Nut
2	3445-004	1	¥ Reel	8	3445-011	1	¥ Rope Assembly
3	3445-007	1	¥ Spring, Spiral	9	3423-428	4	Screw, Cap
4	3445-016	1	¥ Ratchet - Assembly (inc. 5-6)	10	3445-029	1	Cup, Starter
5	3445-005	1	¥ ¥ Ratchet	11	3004-491	1	Nut
6	3445-006	1	¥ ¥ Guide, Ratchet				



OIL FILTER/PUMP ASSEMBLY

0737-035

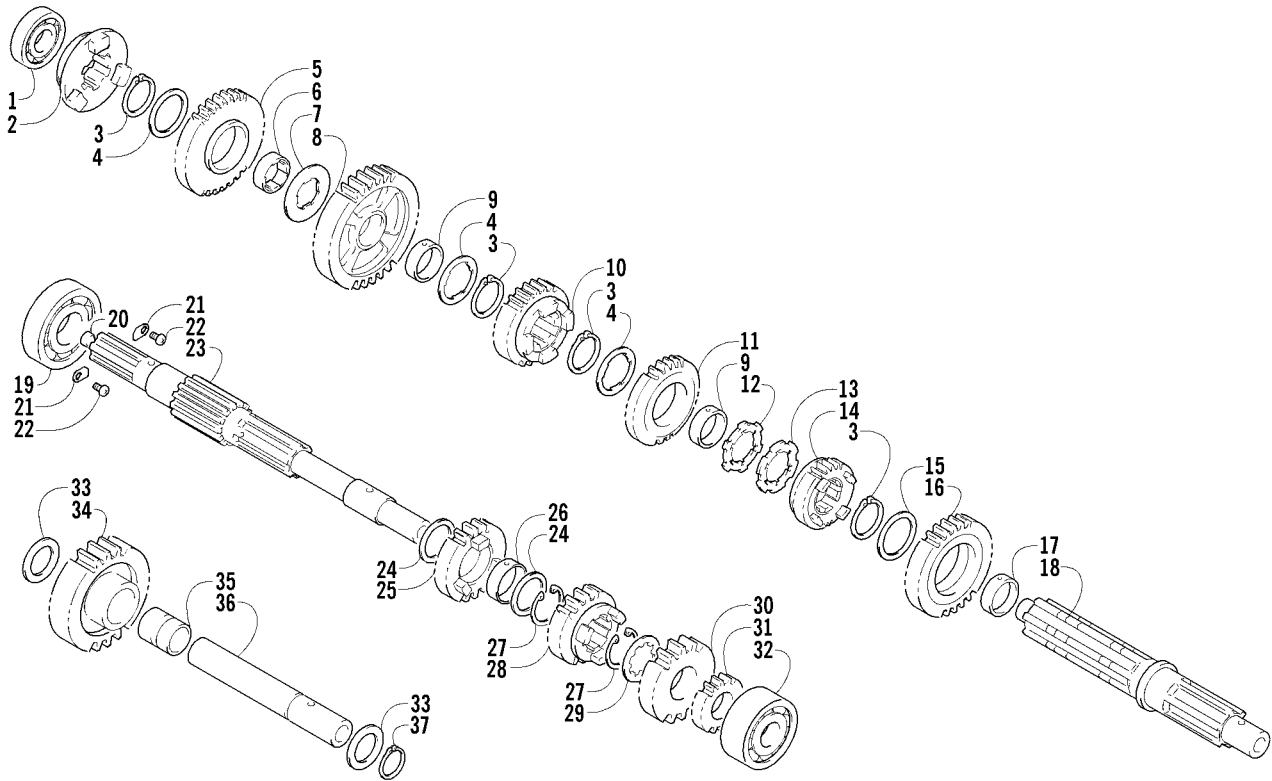
Ref.	Part No.	Qty.	Description	Ref.	Part No.	Qty.	Description
1	3402-619	1	Pump, Oil	9	3402-157	1	Cap, Oil Strainer
2	3402-618	1	Gear, Driven	10	3423-077	1	O-Ring
3	3423-046	1	Pin	11	3004-756	4	Screw, Cap
4	3423-443	1	Washer	12	0812-005	1	Filter, Oil
5	3423-184	1	Circlip	13	3403-021	1	Plug, Drain
6	3423-113	3	Screw	14	3402-012	1	Gasket, Drain Plug
7	3402-156	1	Strainer, Oil	15	3402-773	1	Valve, Oil Relief - Assembly
8	0693-389	2	Screw	16	3005-206	2	Pin, Oil Pump



CLUTCH ASSEMBLY

0739-874

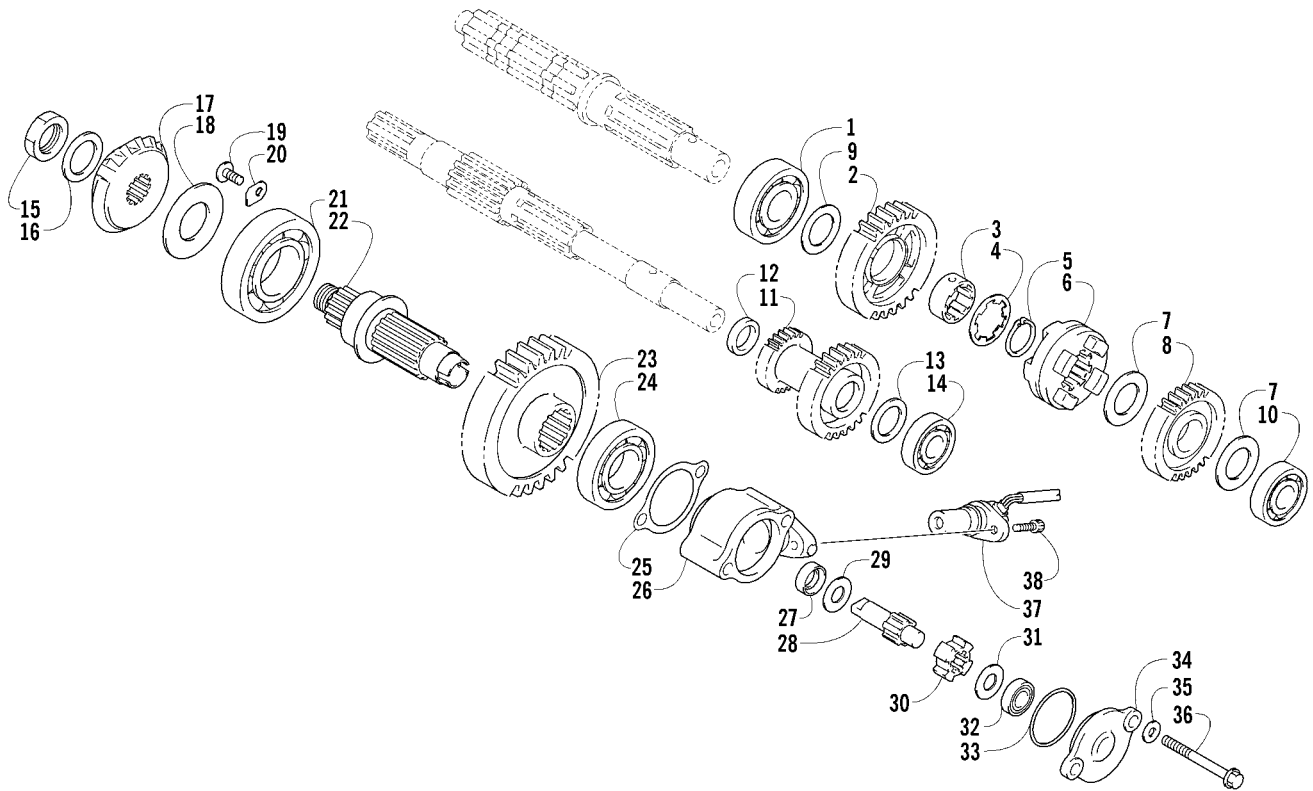
Ref.	Part No.	Qty.	Description	Ref.	Part No.	Qty.	Description
1	3446-352	1	Housing, Starter Clutch	15	3423-080	1	Nut, Clutch Sleeve Hub
2	3446-003	1	Clutch, Primary Drive One Way	16	3423-032	1	Washer, Sleeve Hub
3	3446-290	1	Shoe, Starter Clutch	17	3446-292	1	Arm, Clutch Release
4	3423-409	1	Nut, Starter Clutch Shoe	18	3423-361	1	Bolt, Clutch Release - No. 1
5	3423-515	1	Washer, Primary Driven	19	3423-083	1	Bolt, Clutch Release - No. 2
6	3423-516	1	Washer	20	3446-293	1	Guide, Release Roller
7	3446-291	1	Gear, Primary Driven - Assembly	21	3446-294	1	Roller, Clutch Release - Assembly
8	3446-004	1	Hub, Clutch Sleeve	22	3423-125	1	Bolt, Clutch Release Arm
9	3423-330	4	Screw, Cap - Clutch Spring	23	3008-014	1	Nut, Clutch Release - No. 2
10	3423-517	4	Spring, Clutch	24	3423-359	1	Nut, Clutch Release - No. 1
11	3446-006	6	Plate, Clutch Drive	25	3423-027	1	Washer, Clutch Release - No. 2
12	3446-007	5	Plate, Clutch Driven	26	3402-186	1	Bearing, Clutch
13	3446-008	1	Disc, Clutch Pressure	27	3423-360	1	Washer, Clutch Release - No. 1
14	3446-009	1	Plate, Clutch Release	28	3423-260	1	Washer



TRANSMISSION ASSEMBLY

0737-733

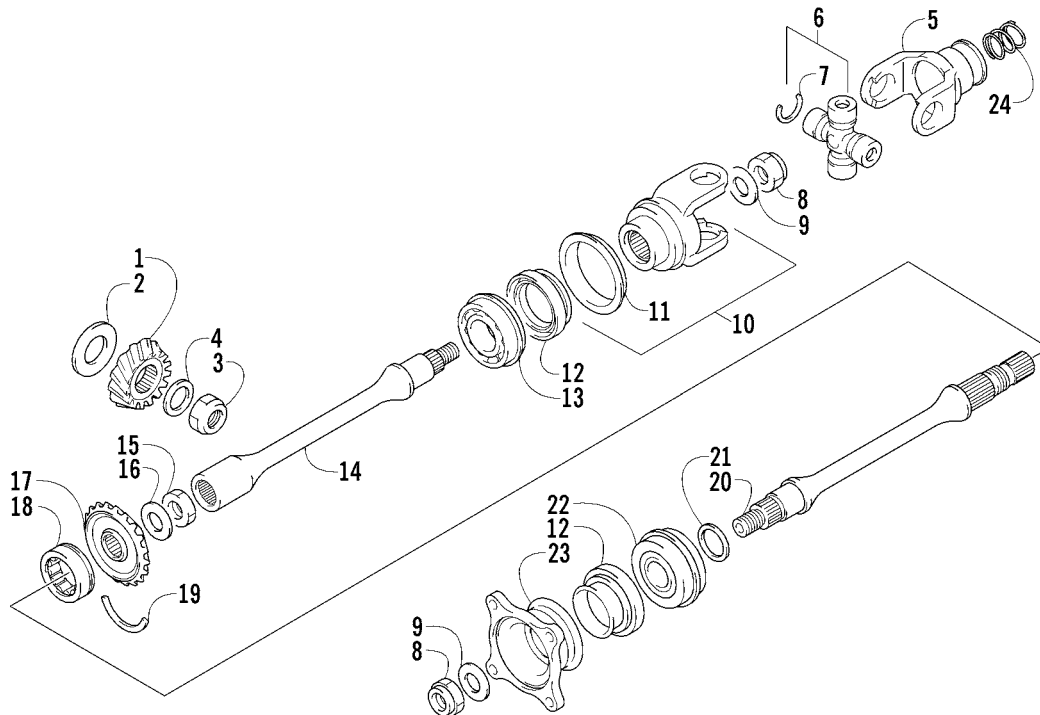
Ref.	Part No.	Qty.	Description	Ref.	Part No.	Qty.	Description
1	3402-218	1	Bearing	20	3402-033	1	Plug, Countershaft
2	3446-297	1	Dog, Reverse	21	3446-031	2	Retainer, Bearing
3	3423-066	4	Circlip	22	3423-370	2	Screw
4	3423-036	3	Washer, Lock	23	3446-295	1	Countershaft
5	3446-296	1	Gear, Reverse Driven	24	3402-210	2	Washer
6	3446-145	1	Bushing	25	3446-139	1	Gear, 4th Drive
7	3423-263	1	Washer	26	3402-229	1	Bushing
8	3446-141	1	Gear, 1st Driven	27	3423-279	2	Circlip
9	3446-273	2	Bushing	28	3446-138	1	Gear, 3rd Drive
10	3446-146	1	Gear, 4th Driven	29	3423-261	1	Washer
11	3446-143	1	Gear, 3rd Driven	30	3446-140	1	Gear, 5th Drive
12	3423-266	1	Washer, Lock	31	3446-137	1	Gear, 2nd Drive
13	3423-262	1	Washer, Lock	32	3402-224	1	Bearing
14	3446-147	1	Gear, 5th Driven	33	3402-209	2	Washer
15	3423-317	1	Washer	34	3446-149	1	Gear, Reverse Idle
16	3446-142	1	Gear, 2nd Driven	35	3402-228	1	Bushing
17	3402-230	1	Bushing	36	3446-298	1	Shaft, Reverse Idle
18	3402-775	1	Driveshaft	37	3423-518	1	Circlip
19	0691-374	1	Bearing				



SECONDARY TRANSMISSION ASSEMBLY

0739-875

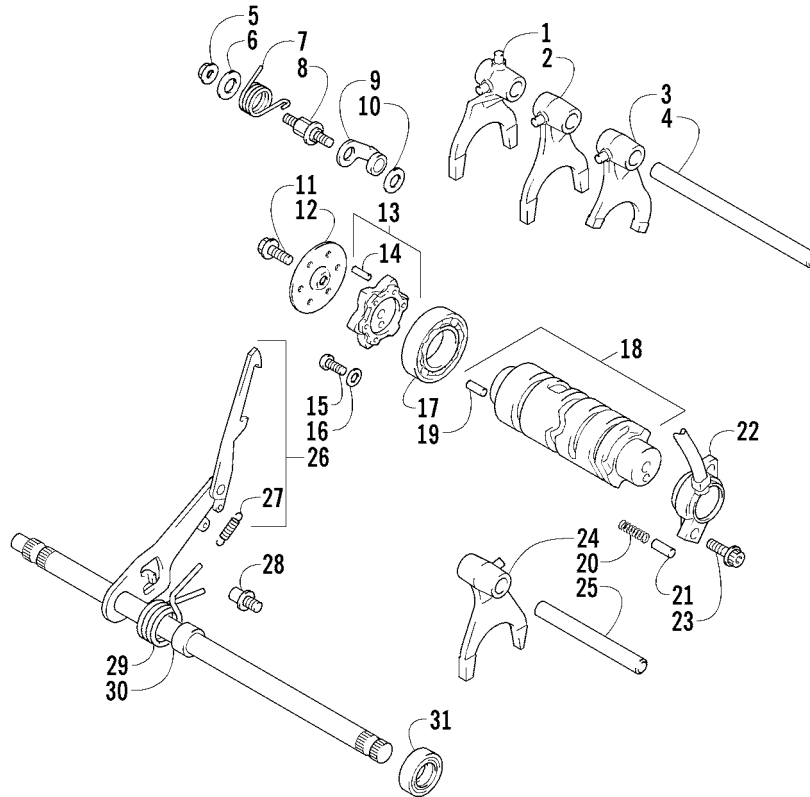
Ref.	Part No.	Qty.	Description	Ref.	Part No.	Qty.	Description
1	3402-776	1	Bearing	20	3446-031	2	Retainer, Output Shaft
2	3446-300	1	Gear, Drive - No. 1	21	3402-180	1	Bearing
3	3446-301	1	Bushing, Drive Gear No. 1	22	3446-403	1	Shaft, Output
4	3423-036	1	Washer	23	3446-304	1	Gear, Driven
5	3423-066	1	Circlip	24	3402-045	1	Bearing
6	3446-249	1	Dog, Sliding	25	3446-244	1	Gasket, Speedometer Housing
7	3423-126	2	Washer	26	3446-400	1	Housing, Speedometer Sensor
8	3446-302	1	Gear, Drive - No. 2	27	3006-322	1	Seal, Shaft
9	3423-519	1	Spacer, Drive Gear	28	3446-402	1	Shaft, Output
10	3402-979	1	Bearing, Driveshaft	29	3423-617	1	Washer
11	3446-299	1	Gear, Idle	30	3402-837	1	Rotor
12	3402-205	1	Spacer, Idle Gear	31	3423-767	1	Washer
13	3423-319	1	Washer	32	3402-980	1	Bearing
14	3402-217	1	Bearing	33	3423-766	1	O-Ring
15	3423-023	1	Nut, Secondary Drive Gear	34	3446-401	1	Cover, Speedometer Sensor Housing
16	3005-372	1	Washer, Secondary Drive Gear	35	3003-290	2	Gasket
17	3446-274	1	Gear, Secondary Drive	36	3423-307	2	Bolt
18	3446-035	1	Shim, Secondary Drive Gear - Set	37	3402-981	1	Sensor, Speedometer
19	3423-370	2	Screw	38	3423-226	1	Bolt



SECONDARY DRIVE ASSEMBLY

0740-799

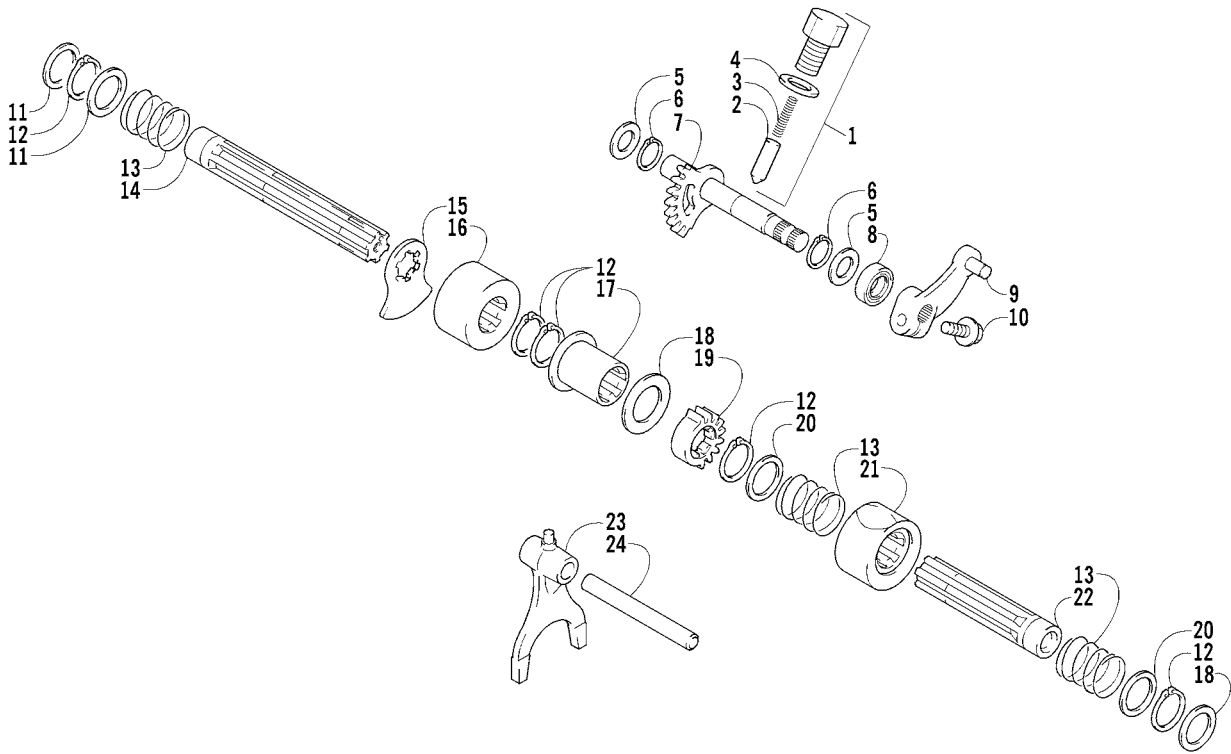
Ref.	Part No.	Qty.	Description	Ref.	Part No.	Qty.	Description
1	3446-274	1	Gear, Secondary Drive	19	3423-072	1	C-Ring, Driven Bearing
2	3446-035	1	Shim, Secondary Drive Gear - Set	20	3446-305	1	Shaft, Secondary Driven - Rear
3	3423-023	1	Nut	21	3402-017	AR	Shim, 25 x 34 x 0.60 mm
4	3005-372	1	Washer		3402-018	AR	Shim, 25 x 34 x 0.65 mm
5	3446-327	1	Yoke, Propeller Shaft		3402-019	AR	Shim, 25 x 34 x 0.70 mm
6	3402-562	1	Joint, Universal - Set (inc. 7)		3402-020	AR	Shim, 25 x 34 x 0.75 mm
7	3423-479	4	¥ Circlip		3402-021	AR	Shim, 25 x 34 x 0.80 mm
8	3423-025	2	Nut		3402-022	AR	Shim, 25 x 34 x 0.85 mm
9	3423-028	2	Washer		3402-023	AR	Shim, 25 x 34 x 0.90 mm
10	3402-742	1	Yoke, Drive Output - Front (inc. 11)		3402-024	AR	Shim, 25 x 34 x 0.95 mm
11	3402-743	1	¥ Plate, Drive Output Yoke		3402-025	AR	Shim, 25 x 34 x 1.00 mm
12	3402-072	2	Seal, Oil		3402-028	AR	Shim, 25 x 34 x 1.05 mm
13	3402-558	1	Bearing, Front Secondary Driven Shaft		3402-029	AR	Shim, 25 x 34 x 1.10 mm
14	3402-559	1	Shaft, Secondary Driven - Front		3402-030	AR	Shim, 25 x 34 x 1.15 mm
15	3423-136	1	Nut, Secondary Driven Gear		3402-031	AR	Shim, 25 x 34 x 1.20 mm
16	3423-520	1	Washer, Secondary Driven Gear	22	3402-067	1	Bearing, Rear Secondary Driven Shaft
17	3446-222	1	Gear, Secondary Driven	23	3402-514	1	Flange, Output Joint - Rear
18	3402-515	1	Bearing, Driven Gear	24	1402-026	1	Spring



GEAR SHIFTING ASSEMBLY

0737-745

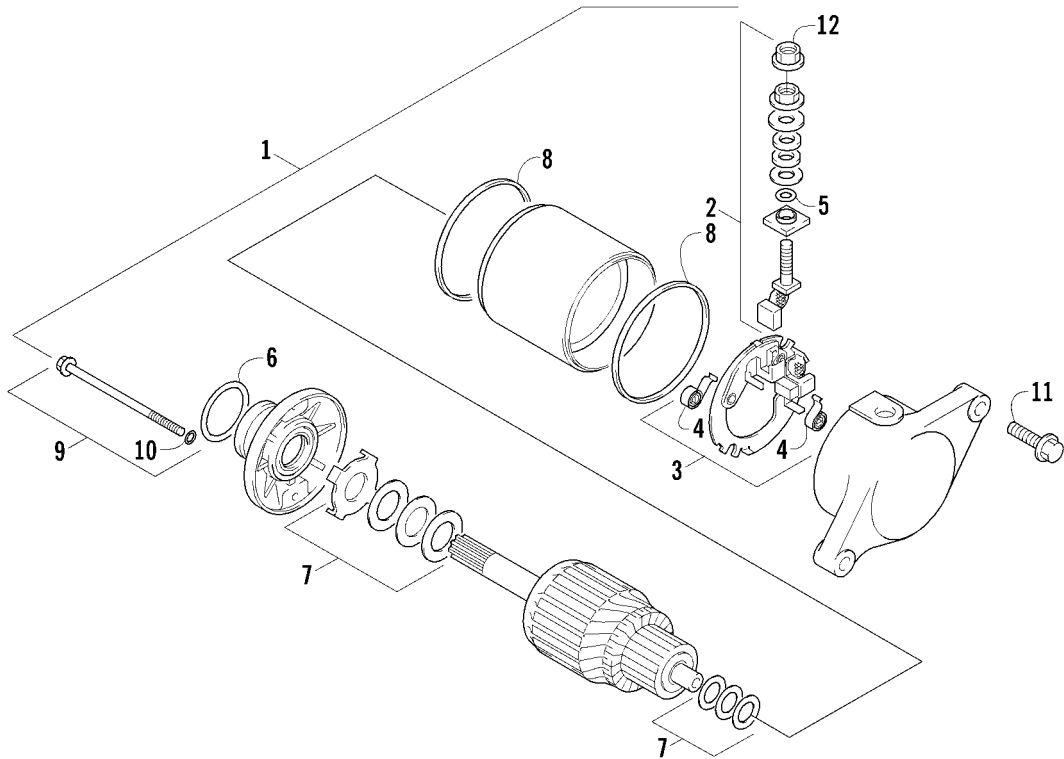
Ref.	Part No.	Qty.	Description	Ref.	Part No.	Qty.	Description
1	3446-306	1	Fork, Gear Shift - Reverse	17	3402-051	1	Bearing, Gear Shift Cam
2	3446-155	1	Fork, Gear Shift - No. 1	18	3446-308	1	Cam, Gear Shift (inc. 19)
3	3446-156	1	Fork, Gear Shift - No. 2	19	3423-114	1	¥ Pin
4	3402-643	1	Shaft, Gear Shift Fork - No. 2	20	3402-087	2	Spring
5	3004-488	1	Nut	21	3423-044	2	Contact
6	3423-142	1	Washer	22	3446-313	1	Base, Neutral Switch
7	3446-282	1	Spring, Gear Shift Cam Stopper	23	3423-418	2	Bolt
8	3446-048	1	Support, Gear Shift Cam Stopper	24	3446-157	1	Fork, Gear Shift - No. 3
9	3402-746	1	Stopper, Gear Shift Cam	25	3446-307	1	Shaft, Gear Shift Fork - No. 1
10	3423-141	1	Washer	26	3446-310	1	Shaft, Gear Shift (inc. 27)
11	3423-125	1	Bolt	27	3402-093	1	¥ Spring
12	3446-309	1	Guide, Gear Shift	28	3446-056	1	Stopper, Gear Shift Shaft
13	3446-049	1	Plate, Gear Shift Cam (inc. 14)	29	3402-094	1	Spring, Return
14	3423-045	5	¥ Pin	30	3446-054	1	Spacer, Gear Shift Shaft
15	3423-370	2	Screw	31	3402-068	1	Seal, Oil
16	3423-135	2	Retainer				



SECONDARY SHIFTING ASSEMBLY

0737-748

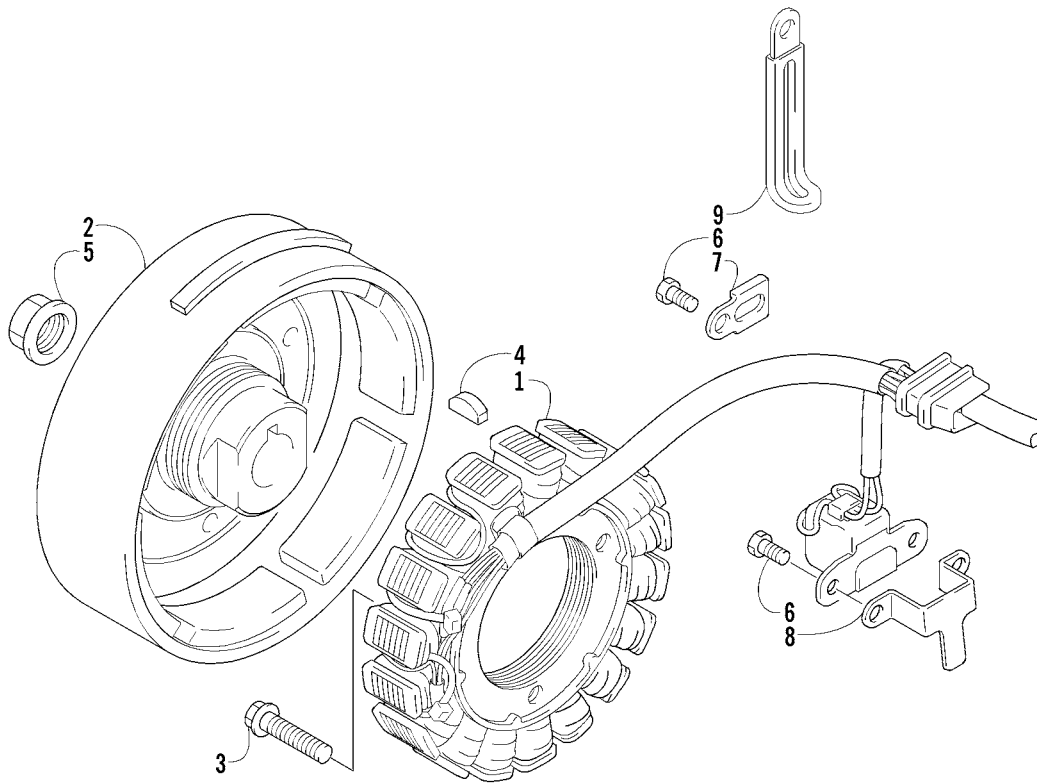
Ref.	Part No.	Qty.	Description	Ref.	Part No.	Qty.	Description
1	3446-314	1	Stopper, Gear Shift Cam (inc. 2-3)	13	3423-526	3	Spring
2	3446-315	1	¥ Stopper	14	3446-325	1	Camshaft, Reverse
3	3423-524	1	¥ Spring	15	3446-324	1	Plate, Cam Lock
4	3402-012	1	Gasket	16	3446-323	1	Cam, Reverse
5	1691-043	2	Washer	17	3446-321	1	Joint, Camshaft
6	3423-358	2	Circlip	18	3402-381	2	Washer
7	3446-322	1	Shaft, Gear Shift	19	3446-316	1	Gear, Camshaft
8	3402-076	1	Seal, Oil	20	3423-533	2	Washer
9	3402-434	1	Arm, Gear Shift	21	3423-525	1	Cam
10	3004-341	1	Bolt, Gear Shift Arm	22	3446-320	1	Camshaft
11	3423-527	2	Washer	23	3446-318	1	Fork, Gear Shift
12	3423-190	5	Circlip	24	3446-317	1	Shaft, Gear Shift Fork



STARTER MOTOR ASSEMBLY

0737-056

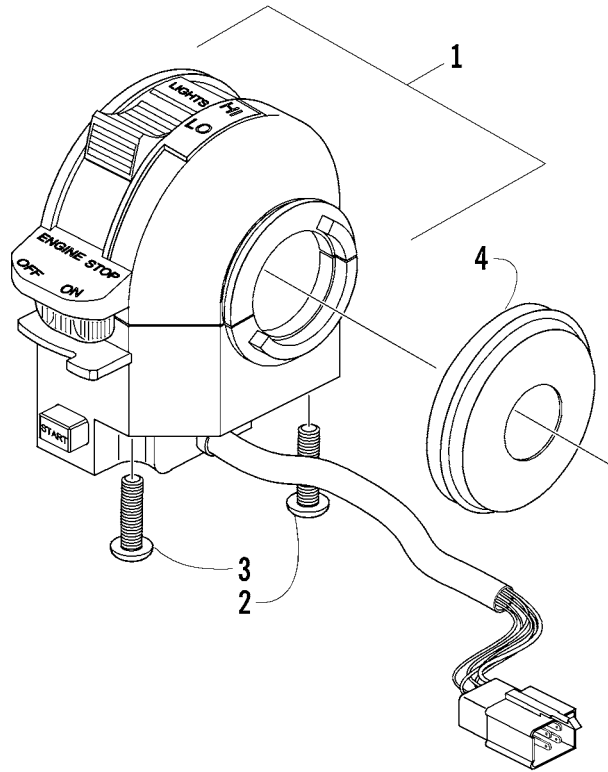
Ref.	Part No.	Qty.	Description	Ref.	Part No.	Qty.	Description
1	3545-016	1	Motor, Starter - Assembly (inc. 2-10)	7	3008-099	1	Washer Set
2	3402-671	1	Terminal Set, Brush	8	3423-497	2	O-Ring
3	3402-672	1	Holder Set, Brush (inc. 4)	9	3423-498	2	Through-Bolt (inc. 10)
4	3008-551	4	Spring, Brush	10	3423-496	2	O-Ring
5	3008-164	1	O-Ring	11	3004-756	2	Bolt
6	3423-272	1	O-Ring	12	3423-195	1	Nut



MAGNETO ASSEMBLY

0737-033

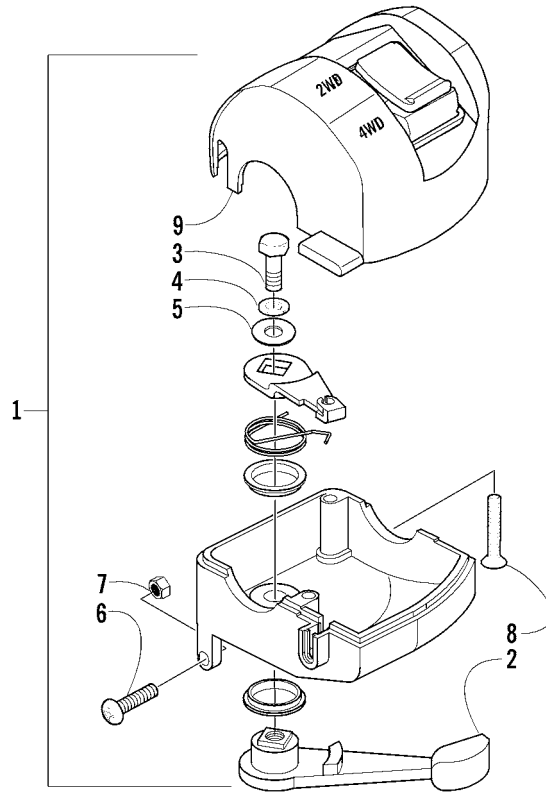
Ref.	Part No.	Qty.	Description	Ref.	Part No.	Qty.	Description
1	3430-053	1	Stator Assembly	6	3423-005	3	Bolt
2	3430-054	1	Rotor/Flywheel	7	3430-006	1	Clamp
3	3004-756	3	Bolt	8	3430-005	1	Clamp
4	0691-785	1	Key	9	3002-964	1	Clamp, Wire
5	3423-086	1	Nut				



CONTROL SWITCH HOUSING ASSEMBLY

0738-416

Ref.	Part No.	Qty.	Description	Ref.	Part No.	Qty.	Description
1	0509-013	1	Switch, Control - Assembly (inc. 2-3)	3	3423-196	1	¥ Screw
2	3423-197	1	¥ Screw	4	3409-019	1	Cover, Choke Lever



THROTTLE CASE ASSEMBLY

0738-414

Ref.	Part No.	Qty.	Description	Ref.	Part No.	Qty.	Description
1	0509-012	1	Case, Throttle - Assembly (inc. 2-9)	6	3423-014	1	¥ Screw
2	3409-001	1	¥ Lever	7	3423-327	1	¥ Nut
3	3004-533	1	¥ Screw, Cap	8	3423-199	2	¥ Screw
4	3004-447	1	¥ Washer, Lock	9	0409-048	1	¥ Cover, Throttle w/Switch
5	3003-030	1	¥ Washer				

RELATED ITEMS

2006 ATV 400 FIS (Manual Transmission)

Red (Model No. A2006ICH4AUSR) Green (Model No. A2006ICH4AUSG)

Cat Green (Model No. A2006ICH4AUSZ)

0436-479	Articulating Spool Mount	0436-639	Ice Auger Holder
0436-548	Articulating Spool Receiver Mount Adapter	0436-787	License Plate Kit
0436-768	Backrest	0436-463	Light Bar
0436-679	Bag, Fender - Black	2257-456	Manual, Illustrated Parts
0436-660	Bag, Rack, Front - Black	2257-299	Manual, Operator's (E)
0436-802	Bag, Rack, Rear - Black	2257-313	Manuel d'utilisation (F)
0436-480	Bar, Utility/Gun Rack	0436-635	Plow Attachment Kit
0436-811	Basket, Open-End	0436-228	Plow Blade, 50 in. - Straight
0436-765	Brush Guard/Bumper	0436-287	Plow Blade, 50 in. - One-Way
0436-462	Bucket Holder	0436-296	Plow Blade, 60 in. - Straight
0436-757	Bumper (Rear)	0436-360	Plow Blade, 60 in. - One-Way
0436-464	Camp Stove Cradle	0436-822	Plow Blade, Carbon Fiber - 60 in. - Straight
0436-454	Cargo Box	0436-823	Plow Blade, Carbon Fiber - 60 in. - One-Way
0436-625	Cargo Box Quick-Release Kit	0436-636	Plow, Push Frame
0436-459	Carryall (9 x 12)	0436-762	Rack Basket
0436-460	Carryall (11 x 17)	0436-763	Rack Extension, 4 in. (Front)
0436-652	Carryall (14 x 27)	0436-629	Rack Extension, 8 in. (Rear)
0436-476	Chain Saw Lock	0436-630	Rapid Blind (Break-Up)
0436-777	Cover, Black and Green	0436-628	Rapid Blind (Shadow Grass)
0436-668	Cover - Timber Camo	0436-578	Rapid Shack (Blue Ice)
0436-776	Cover, Trailerable	0436-511	Rod Holder - Adjustable
0436-005	Engine Oil - 10W40	0436-624	Sprayer System
0436-003	Engine Oil - 5W30	0436-741	Sprayer Boom (120 in.)
0436-466	Fender Box	1402-028	Tire, Titan AT589 (25x8-12, Mud & Snow)
0436-538	Gear Cradle	0402-563	Tire, Titan AT589 (25x10-12, Mud & Snow)
0436-007	Gear Lube (Diff) - 80W90	0436-297	Tool Holder - Double
0436-501	Grease, High-Performance	0436-263	Tool Holder - Single
0436-627	Gun Scabbard Kit	0436-712	Tree Stand/Bow Case Holder
0436-706	Gun Scabbard Mount	0436-655	Winch, 2500 lb
0436-505	Hand Guards - Black	0436-507	Windshield, Clear w/Black Accent
0436-352	Hand/Thumb Warmers		

■ NOTE: For a complete list of related items, refer to the current accessory catalog.

